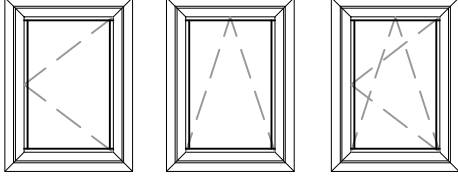


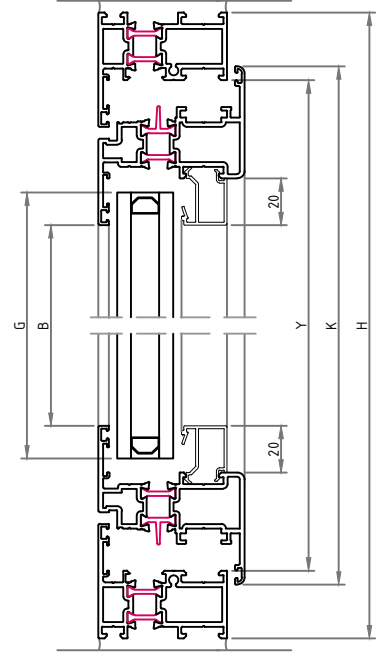
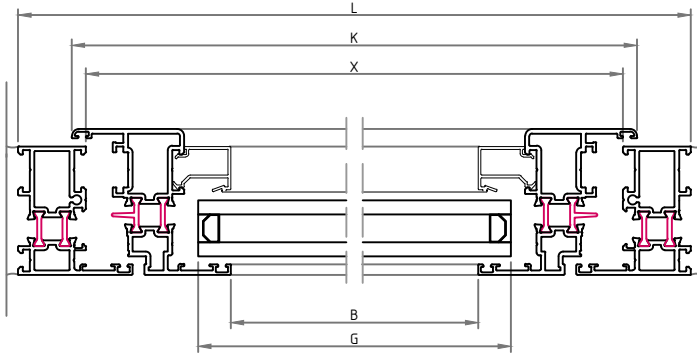
NORMAL / VASİSTAS / ÇİFT ACILIM PENCERE
NORMAL / TILT / TILT & TURN WINDOW



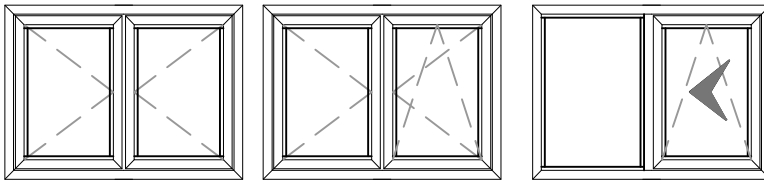
$$K = X + 12$$

$$K = Y + 12$$

$$G = B + 28$$



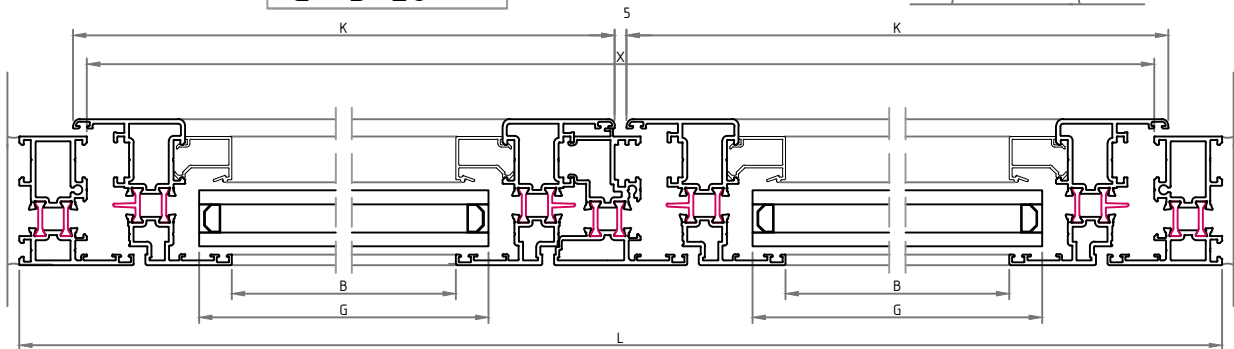
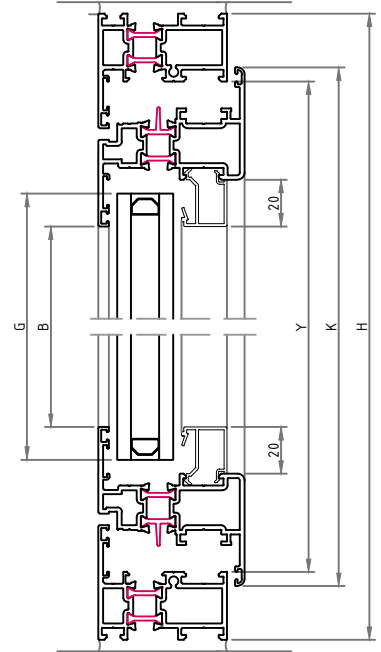
NORMAL / NORMAL VE CİFT ACILIM / WOSVAGEN ACILIM PENCERE
NORMAL / TILT & TURN END SIDE HUNG / WOSVAGEN WINDOW

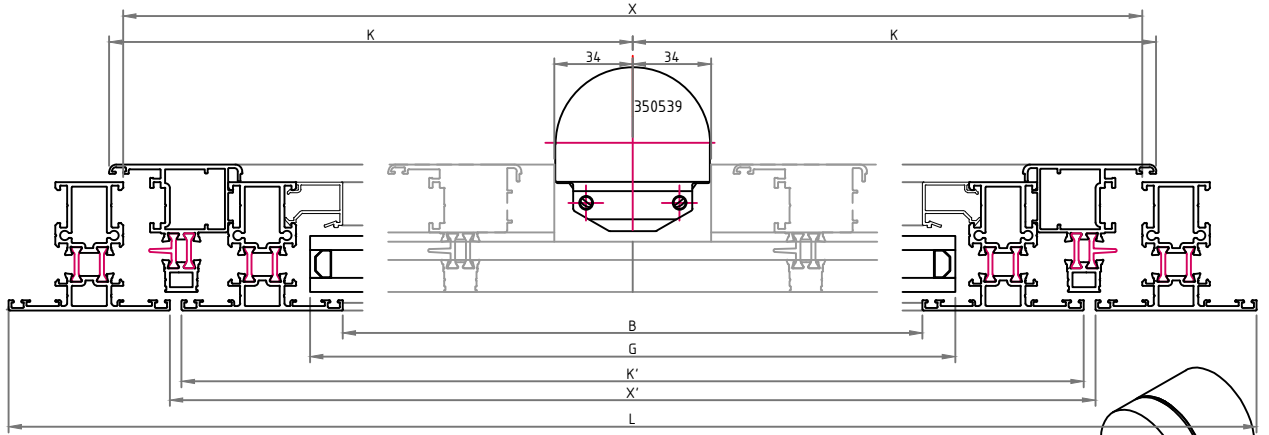


$$K = \frac{X + 12 - 5}{2}$$

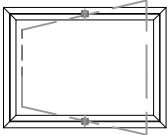
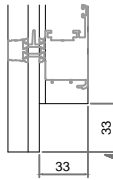
$$K = Y + 12$$

$$G = B + 28$$

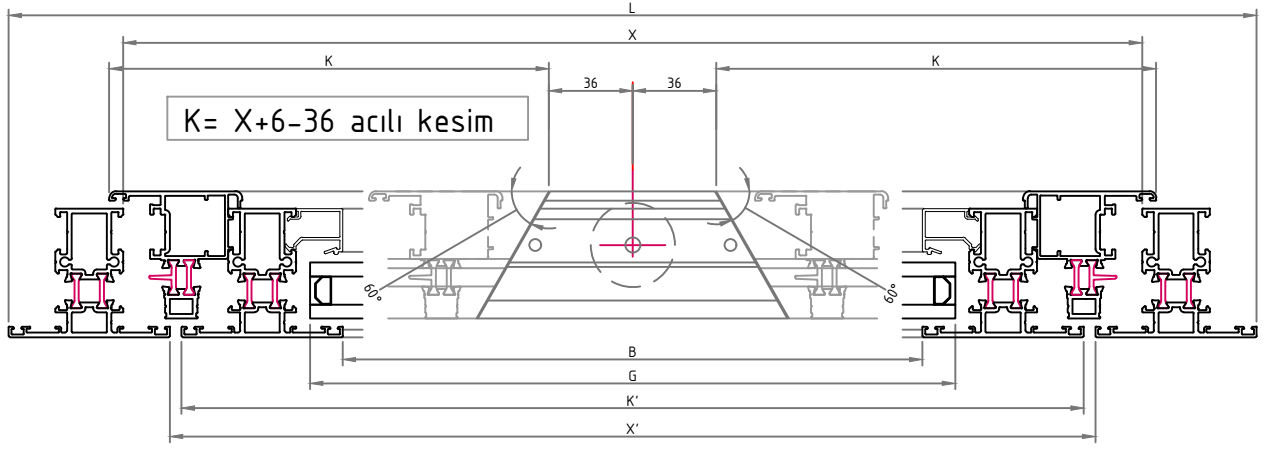
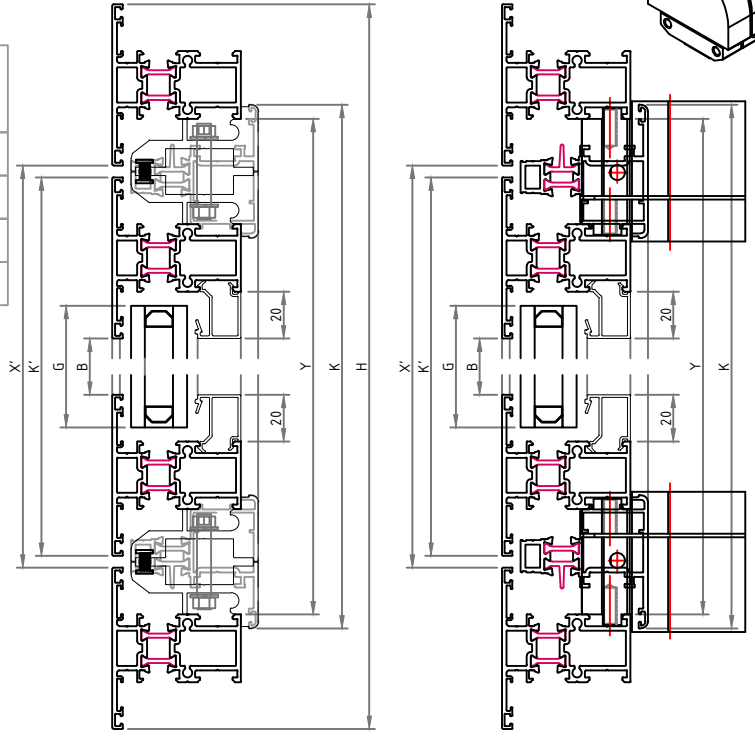




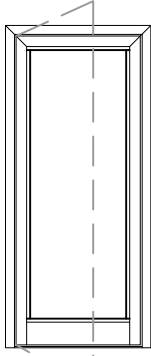
$K = \frac{X-67+12}{2}$
$K = Y+12$
$G = B+28$
$K' = X'-10$
$K = Y+6$ özel işlemler



PIVOT ACILIM PENCERE
PIVOT WING OPENING WINDOW

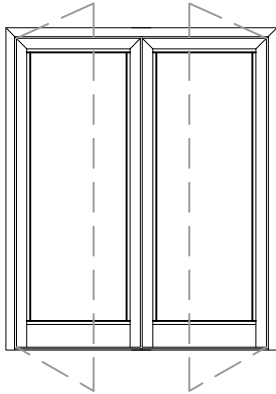
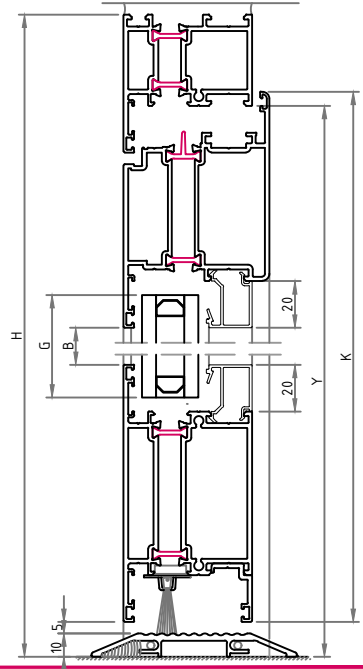
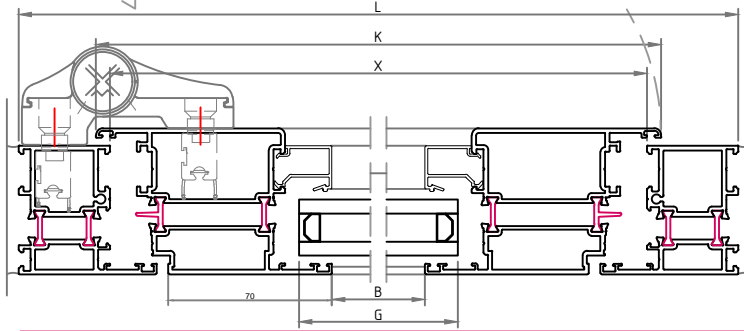


$K = X+6-36$ acılı kesim



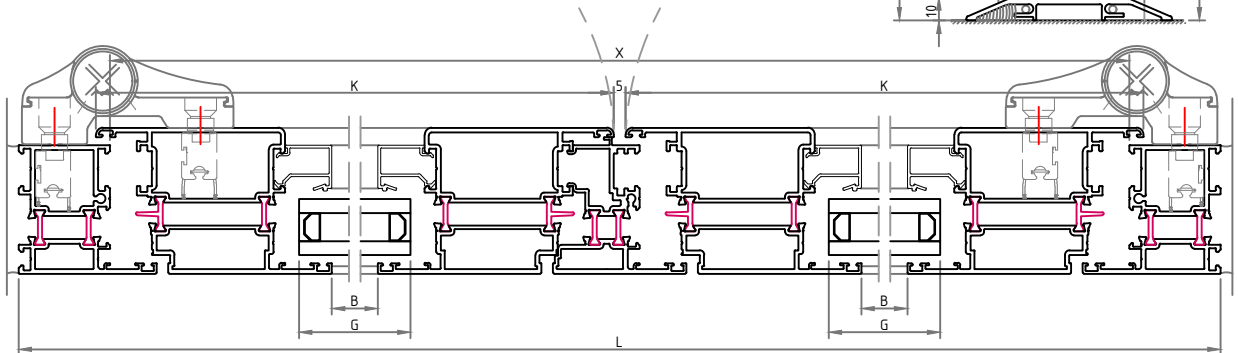
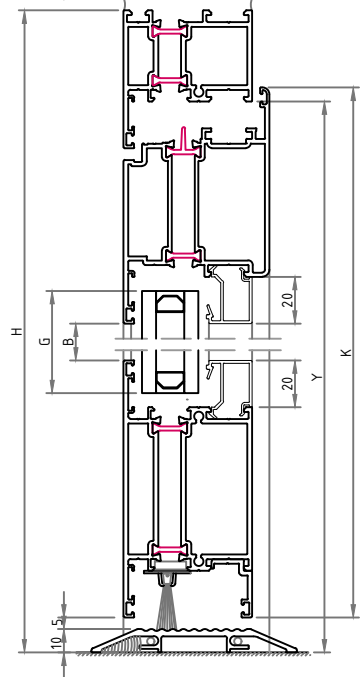
İCERİ ACILAN KAPI
INTSIDE OPENING DOOR

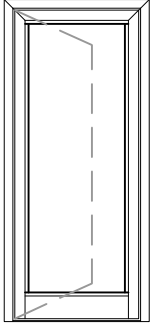
$K = X + 12$
$K = Y + 6 - 15$
$G = B + 28$



ÇİFT KANAT İCERİ ACILAN KAPI
DOUBLE INTSIDE OPENING DOOR

$K = \frac{X + 12 - 5}{2}$
$K = Y + 6 - 15$
$G = B + 28$



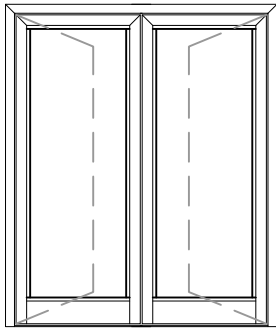
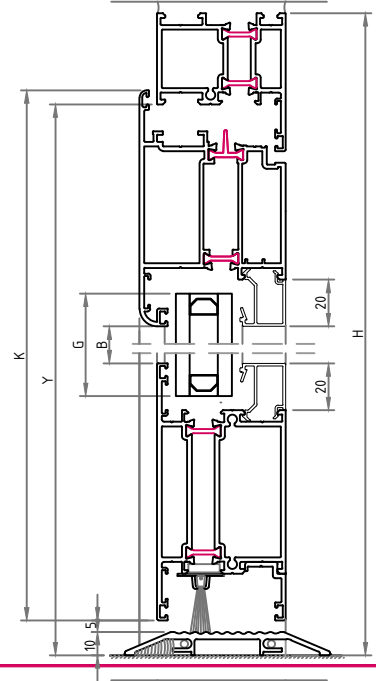
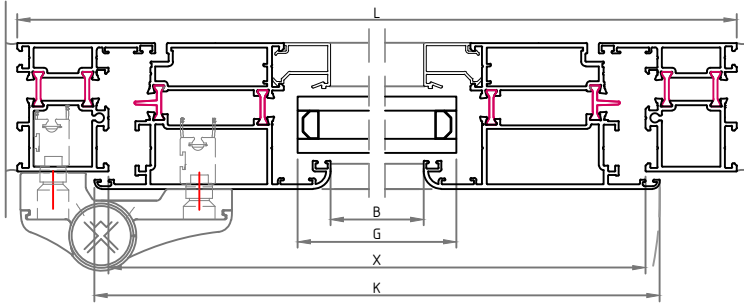


DIŐA ACILAN KAPI
OUTSIDE OPENING DOOR

$$K = X + 12$$

$$K = Y + 6 - 15$$

$$G = B + 28$$

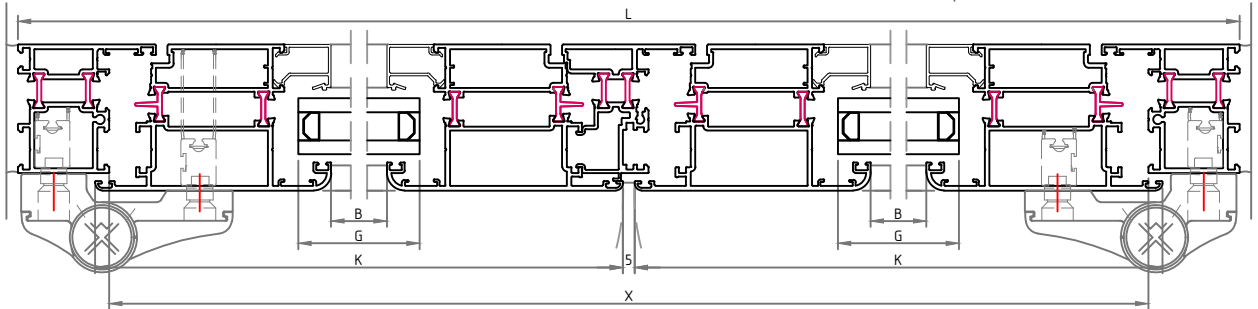
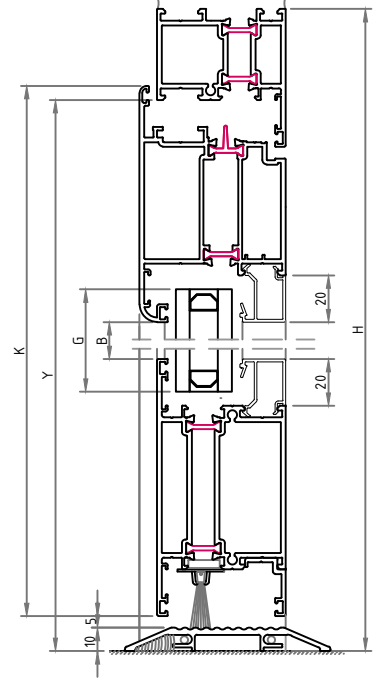


ÇİFT KANAT DIŐARI ACILAN KAPI
DOUBLE OUTSIDE OPENING DOOR

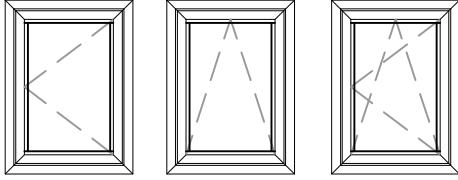
$$K = \frac{X + 12 - 5}{2}$$

$$K = Y + 6 - 15$$

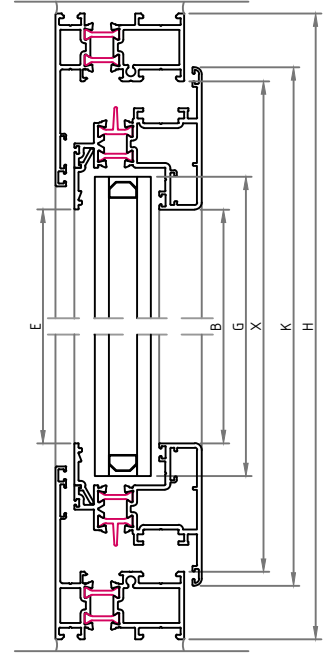
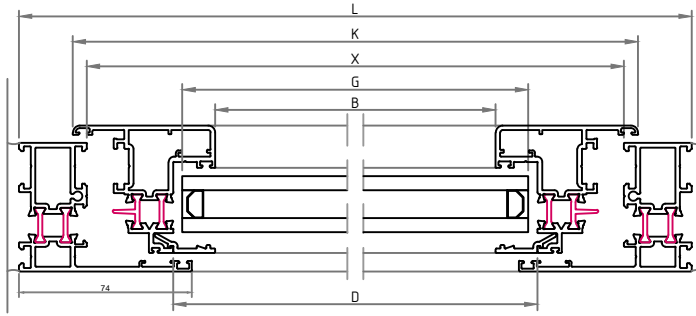
$$G = B + 28$$



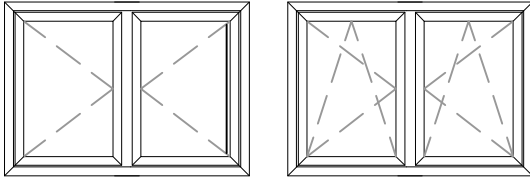
NORMAL / VASİSTAS / ÇİFT ACILIM GİZLİ KANAT PENCERE
NORMAL / TILT / TILT & TURN INVISIBLE SASH WINDOW



$K = X + 12$
$K = Y + 12$
$G = B + 28$
$D = B + 36$
$E = B$



NORMAL / ÇİFT GİZLİ KANAT PENCERE
NORMAL / TILT & TURN DOUBLE INVISIBLE SASH WINDOW



$K = \frac{X + 12 - 5}{2}$
$K = Y + 12$
$G = B + 28$
$D = B + 36$
$E = B$

