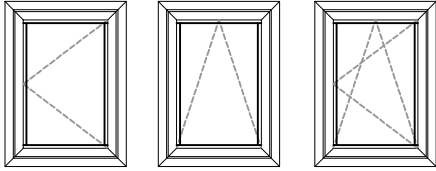


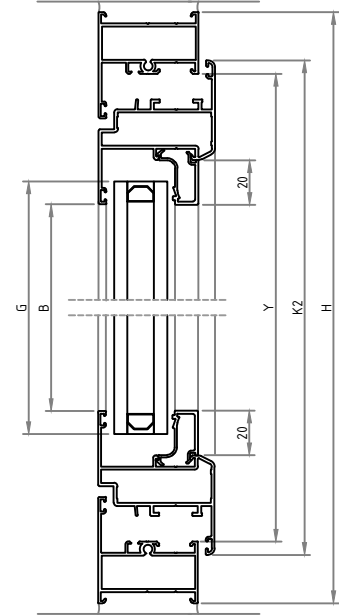
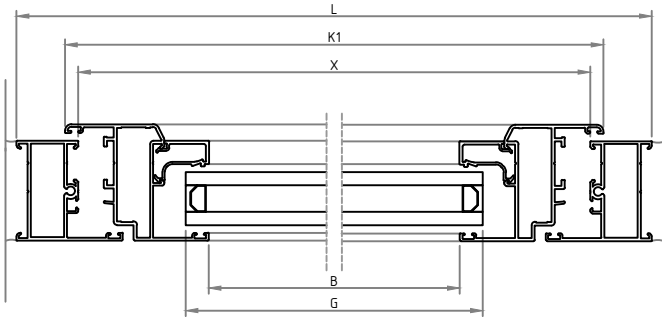
NORMAL / VASİSTAS / ÇİFT ACILIM PENCERE
NORMAL / TILT / TILT & TURN WINDOW



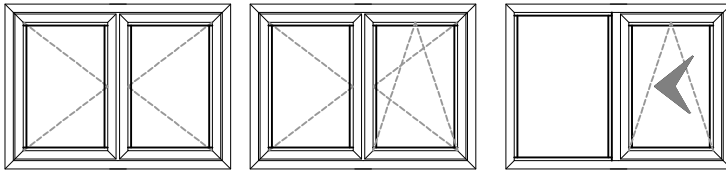
$$K1 = X + 12$$

$$K2 = Y + 12$$

$$G = B + 28$$



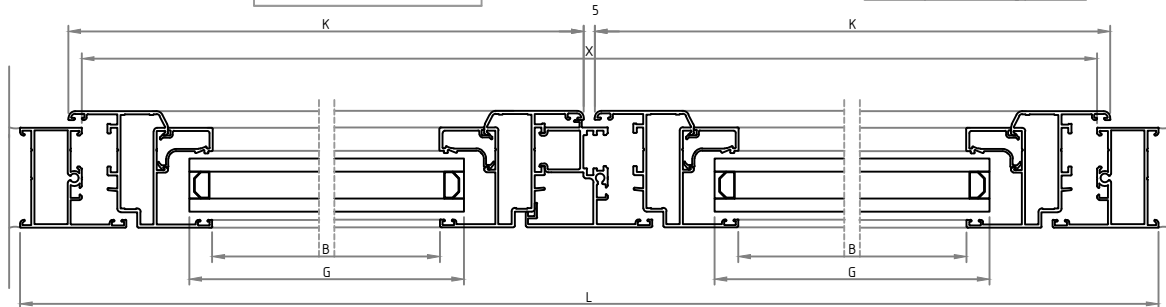
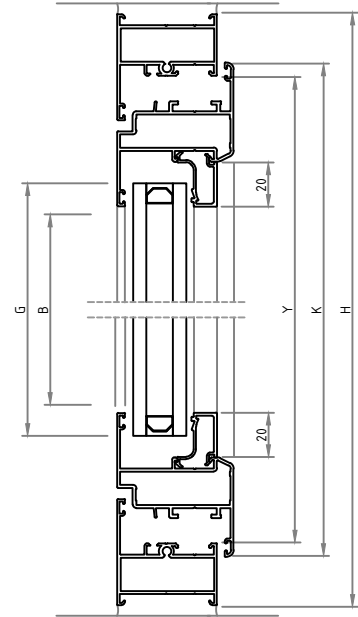
NORMAL / NORMAL VE ÇİFT ACILIM / WOSVAGEN ACILIM PENCERE
NORMAL / TILT & TURN END SIDE HUNG / WOSVAGEN WINDOW

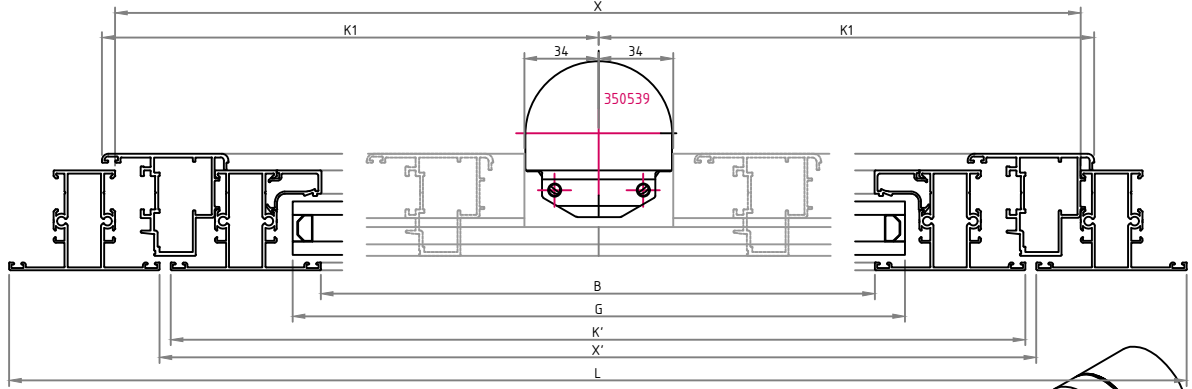


$$K = \frac{X + 12 - 5}{2}$$

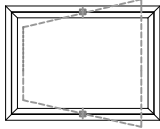
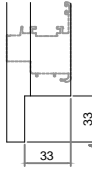
$$K = Y + 12$$

$$G = B + 28$$

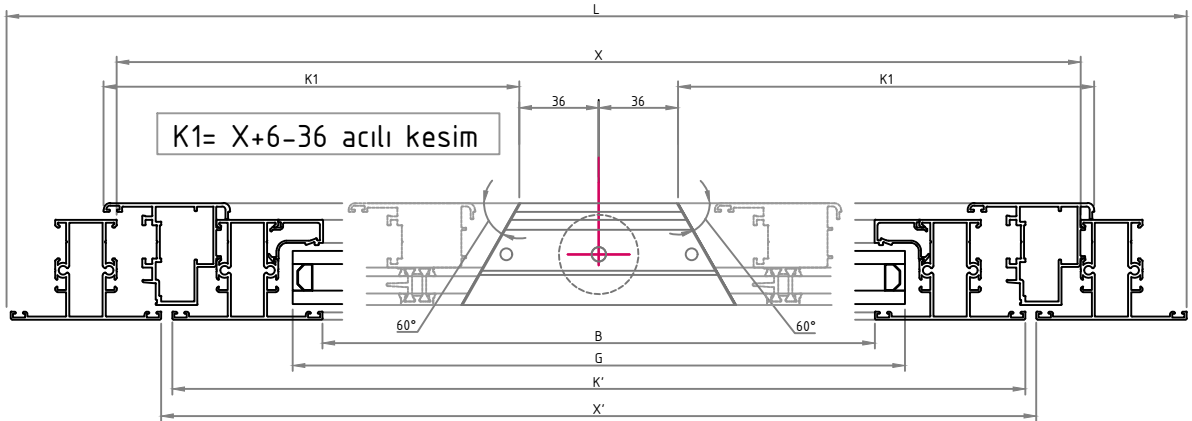
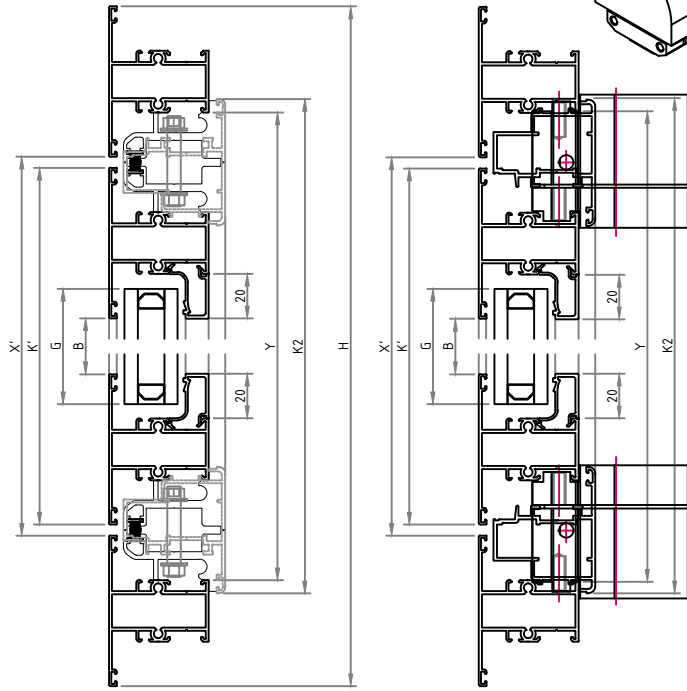


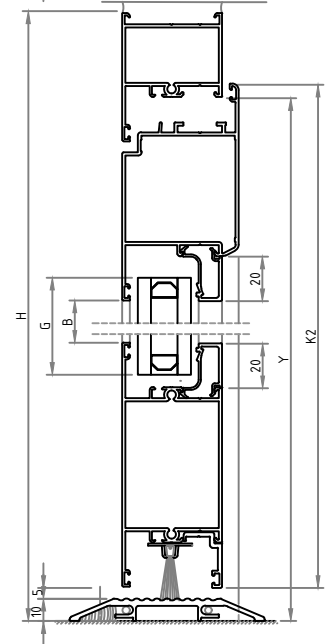
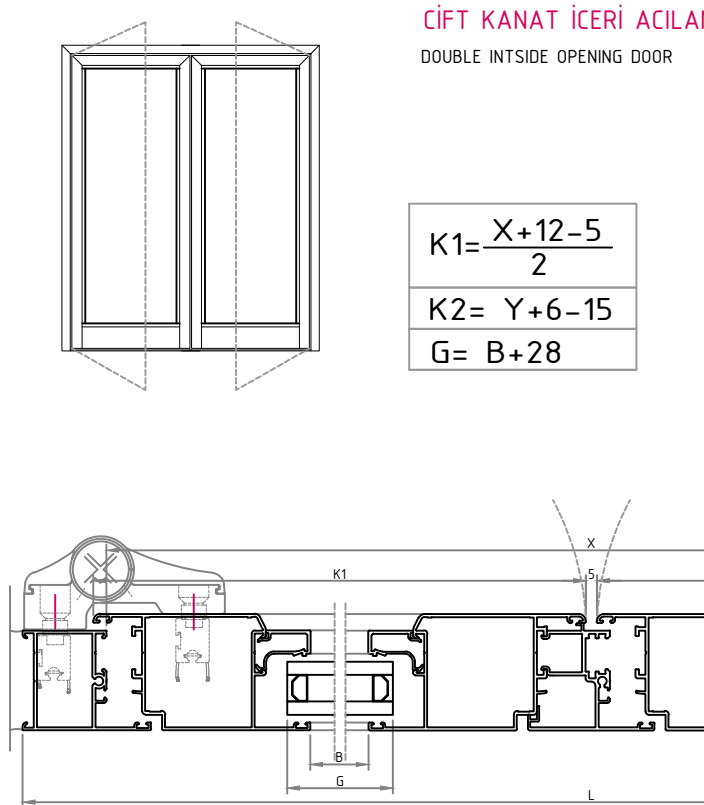
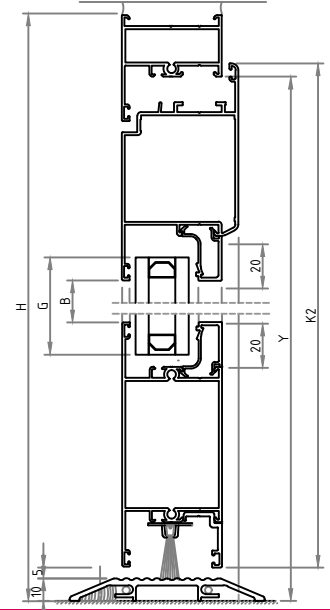
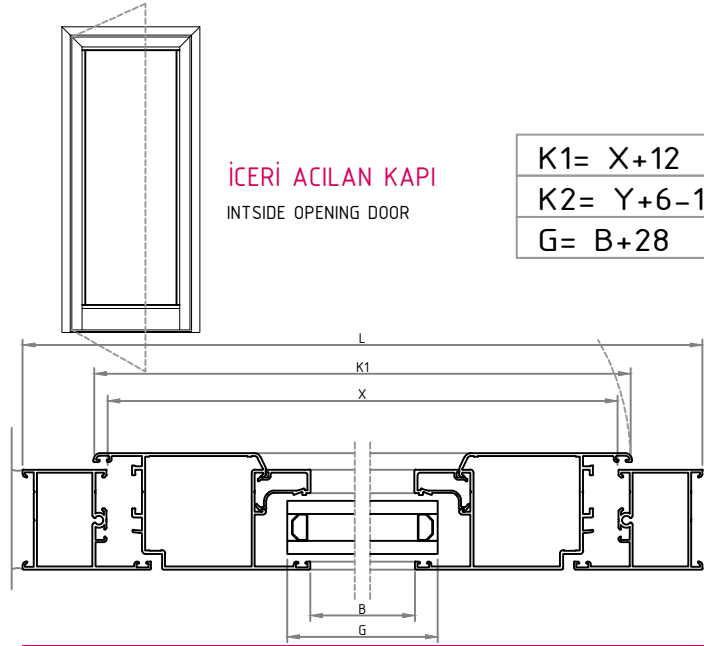


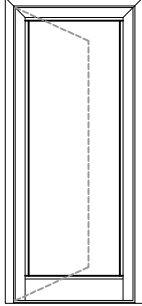
$K1 = \frac{X-67+12}{2}$
$K2 = Y+12$
$G = B+28$
$K' = X' - 10$
$K = Y+6$ özel işlemler



PIVOT ACILIM PENCERE
PIVOT WING OPENING WINDOW

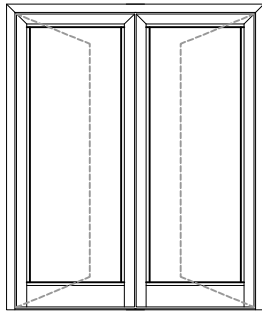
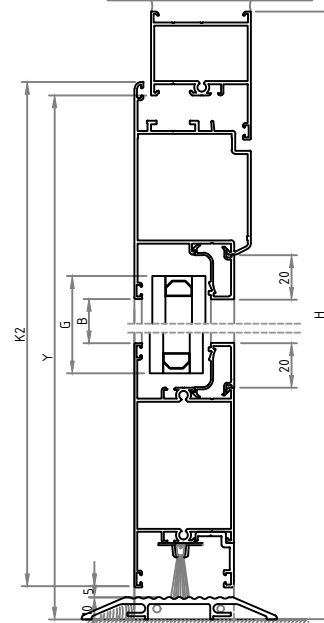
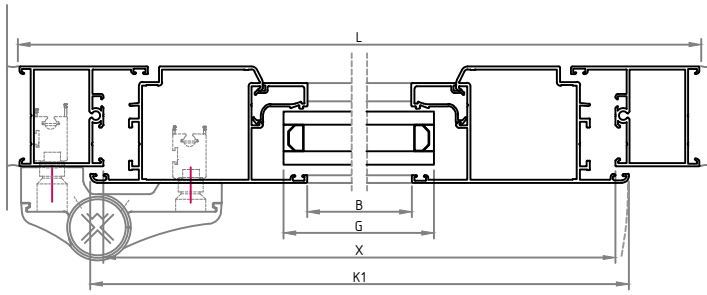






DIŐA ACILAN KAPI
OUTSIDE OPENING DOOR

$K1 = X + 12$
$K2 = Y + 6 - 15$
$G = B + 28$



ÇİFT KANAT DIŐARI ACILAN KAPI
DOUBLE OUTSIDE OPENING DOOR

$K1 = \frac{X + 12 - 5}{2}$
$K2 = Y + 6 - 15$
$G = B + 28$

