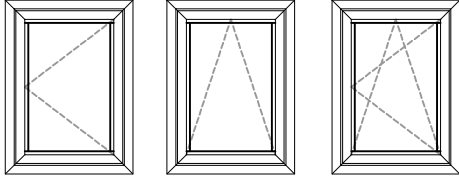


NORMAL / VASİSTAS / ÇİFT ACILIM PENCERE

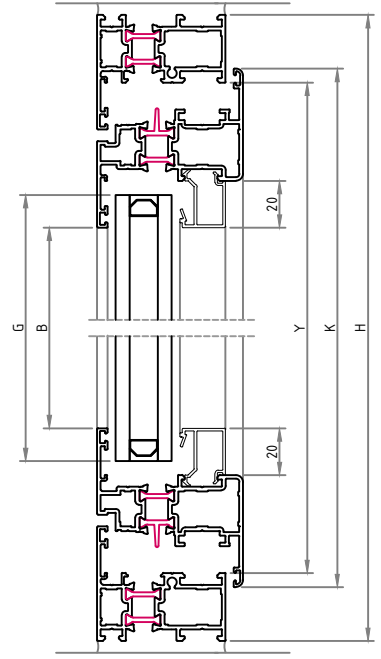
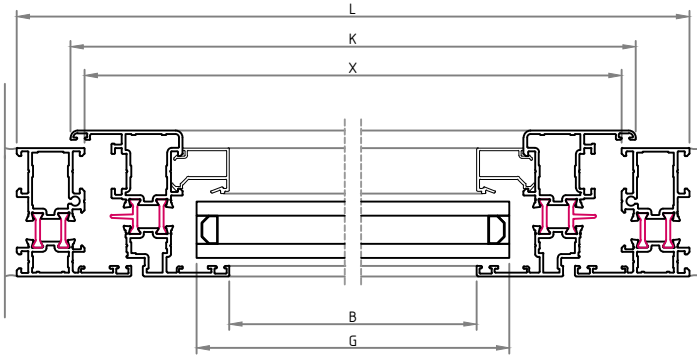
NORMAL / TILT / TILT & TURN WINDOW



$$K = X + 12$$

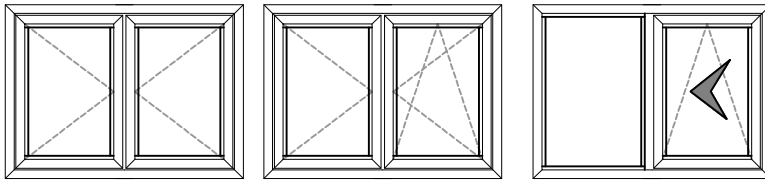
$$K = Y + 12$$

$$G = B + 28$$



NORMAL / NORMAL VE CİFT ACILIM / WOSVAGEN ACILIM PENCERE

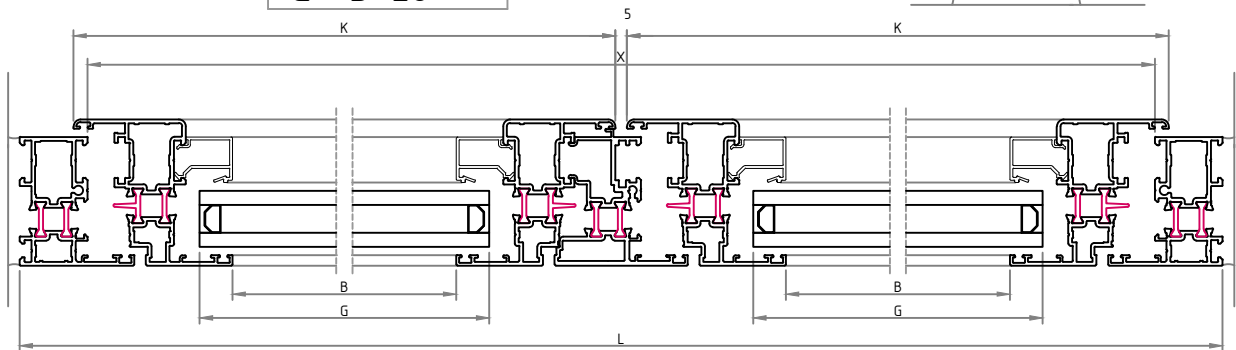
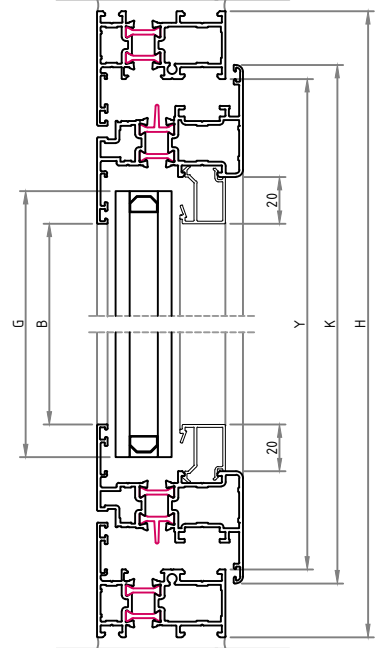
NORMAL / TILT & TURN END SIDE HUNG / WOSVAGEN WINDOW

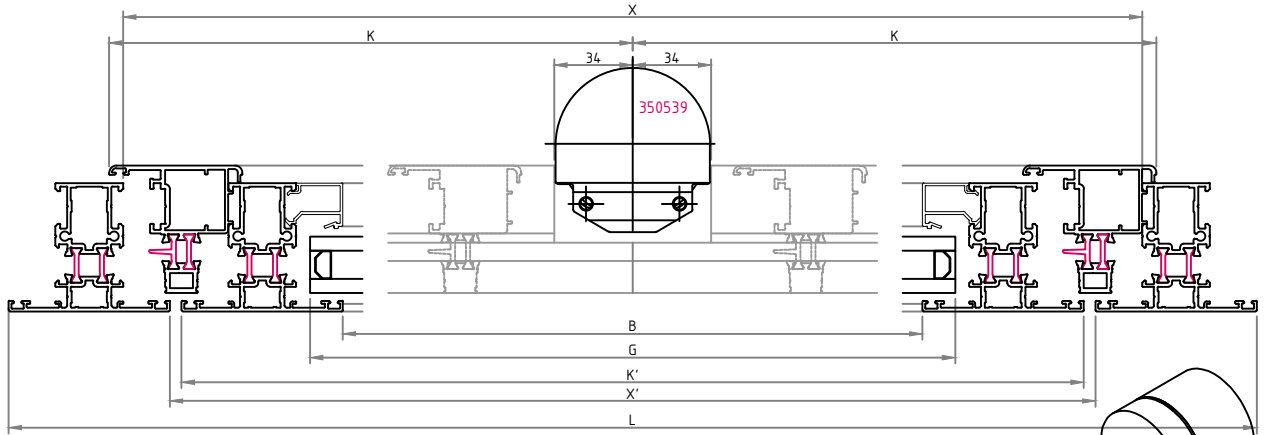


$$K = \frac{X + 12 - 5}{2}$$

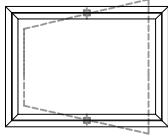
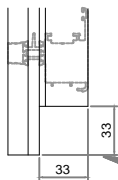
$$K = Y + 12$$

$$G = B + 28$$

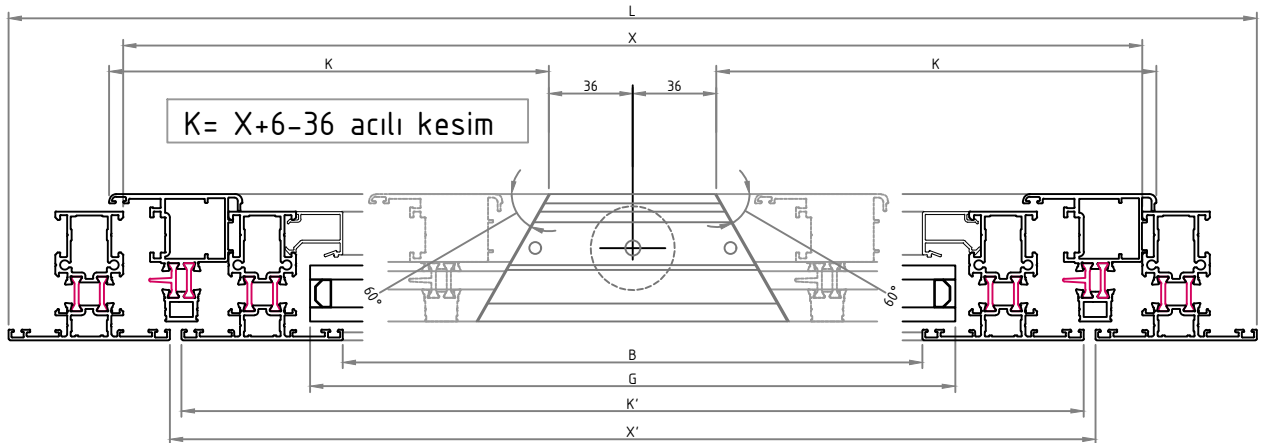
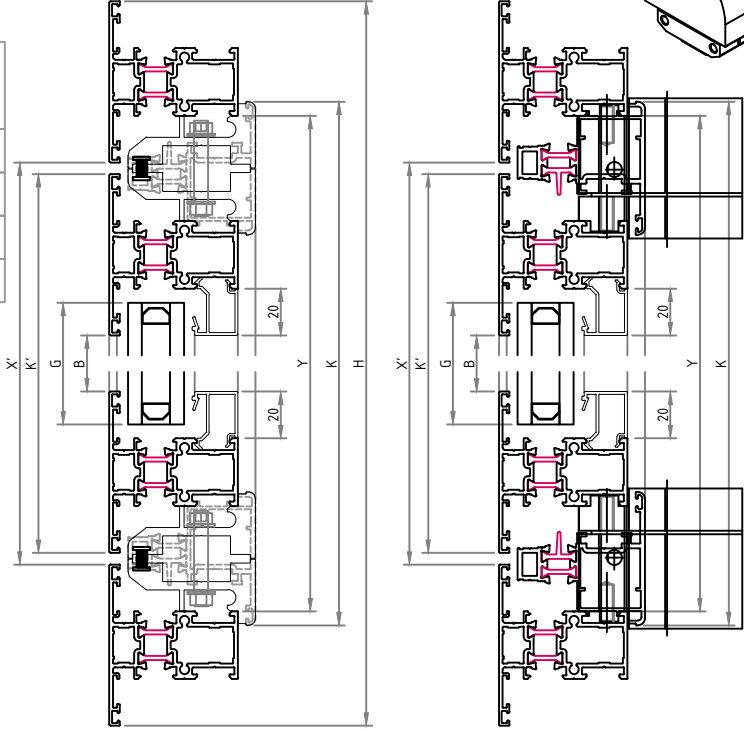


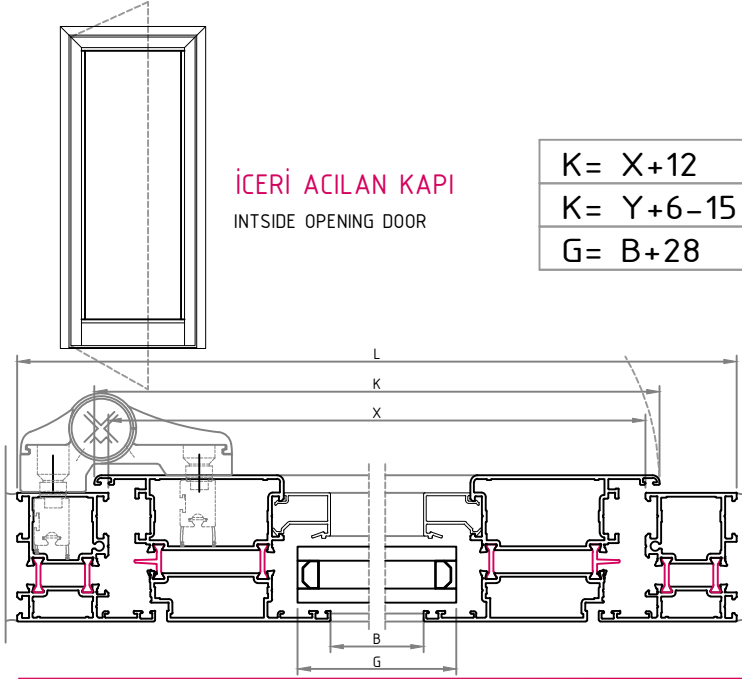


$K = \frac{X-67+12}{2}$
$K = Y+12$
$G = B+28$
$K' = X'-10$
$K = Y+6$ özel işlemler



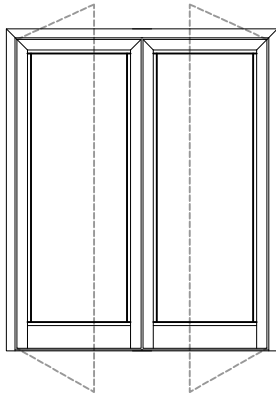
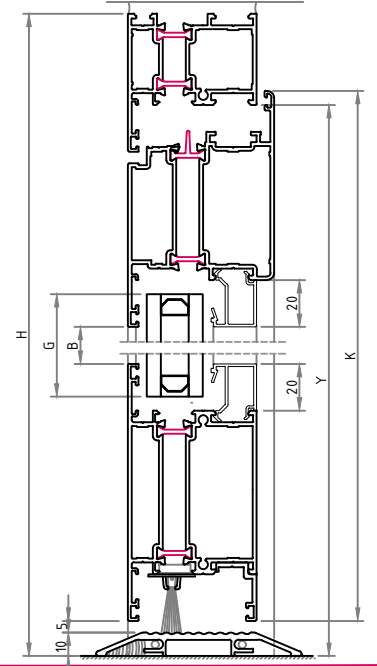
PIVOT ACILIM PENCERE
PIVOT WING OPENING WINDOW





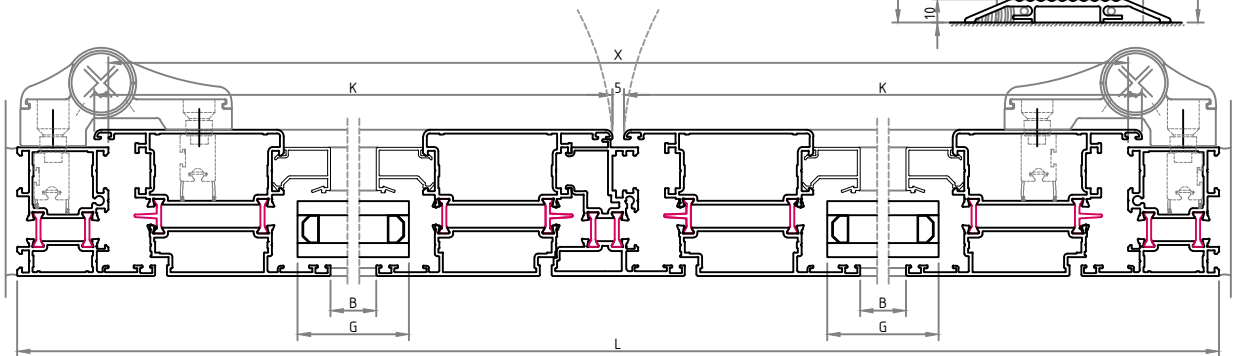
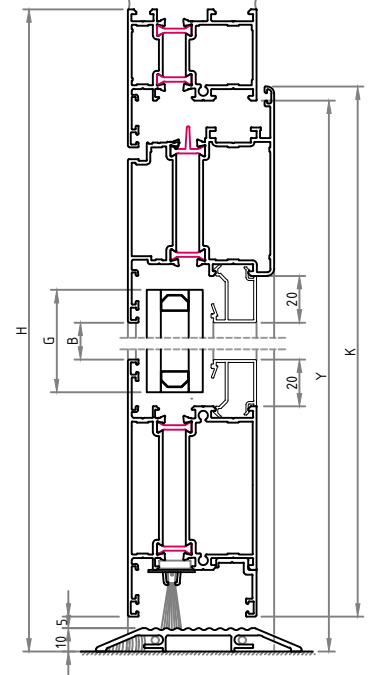
İCERİ ACILAN KAPI
INTSIDE OPENING DOOR

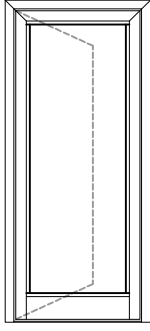
$K = X + 12$
$K = Y + 6 - 15$
$G = B + 28$



ÇİFT KANAT İCERİ ACILAN KAPI
DOUBLE INTSIDE OPENING DOOR

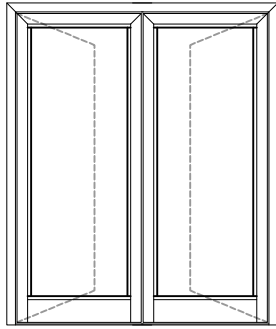
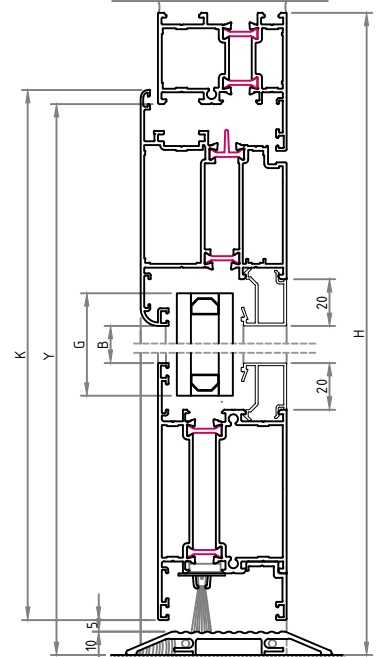
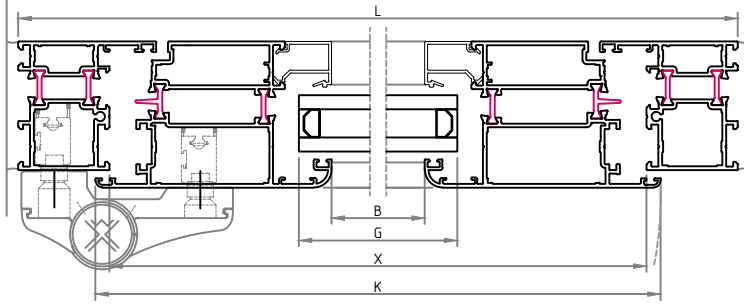
$K = \frac{X + 12 - 5}{2}$
$K = Y + 6 - 15$
$G = B + 28$





DIŐA ACILAN KAPI
OUTSIDE OPENING DOOR

$K = X + 12$
$K = Y + 6 - 15$
$G = B + 28$



ÇİFT KANAT DIŐARI ACILAN KAPI
DOUBLE OUTSIDE OPENING DOOR

$K = \frac{X + 12 - 5}{2}$
$K = Y + 6 - 15$
$G = B + 28$

