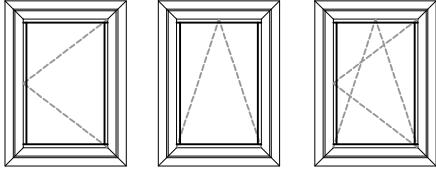


NORMAL / VASİSTAS / ÇİFT ACILIM PENCERE

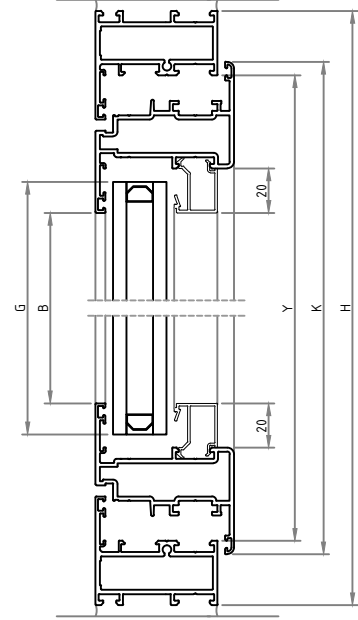
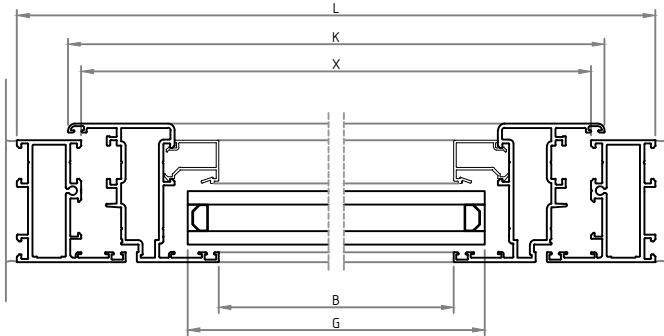
NORMAL / TILT / TILT & TURN WINDOW



$$K = X + 12$$

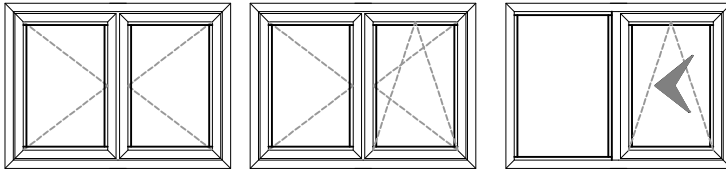
$$K = Y + 12$$

$$G = B + 28$$



NORMAL / NORMAL VE ÇİFT ACILIM / WOSVAGEN ACILIM PENCERE

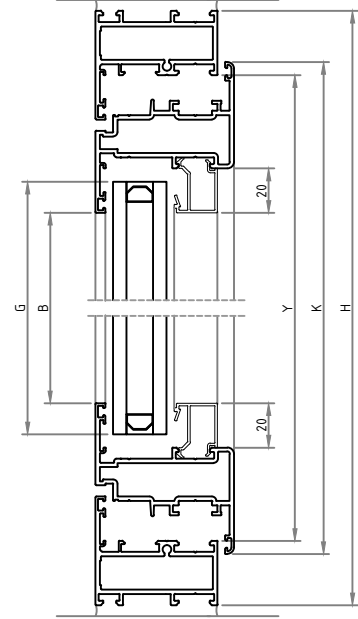
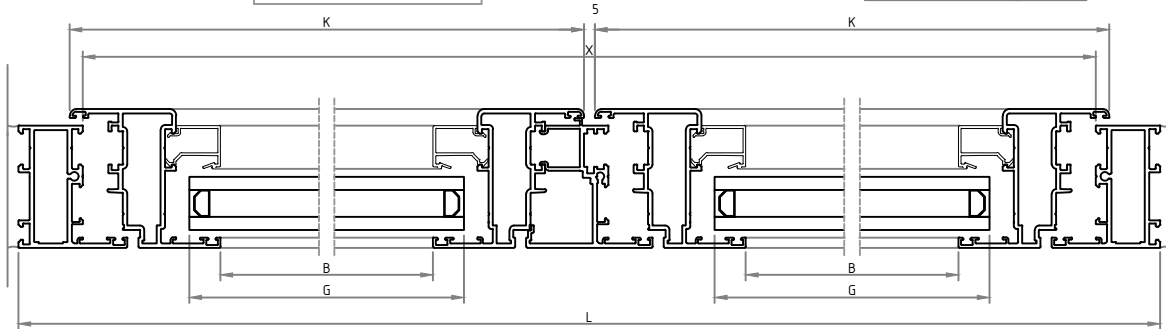
NORMAL / TILT & TURN END SIDE HUNG / WOSVAGEN WINDOW

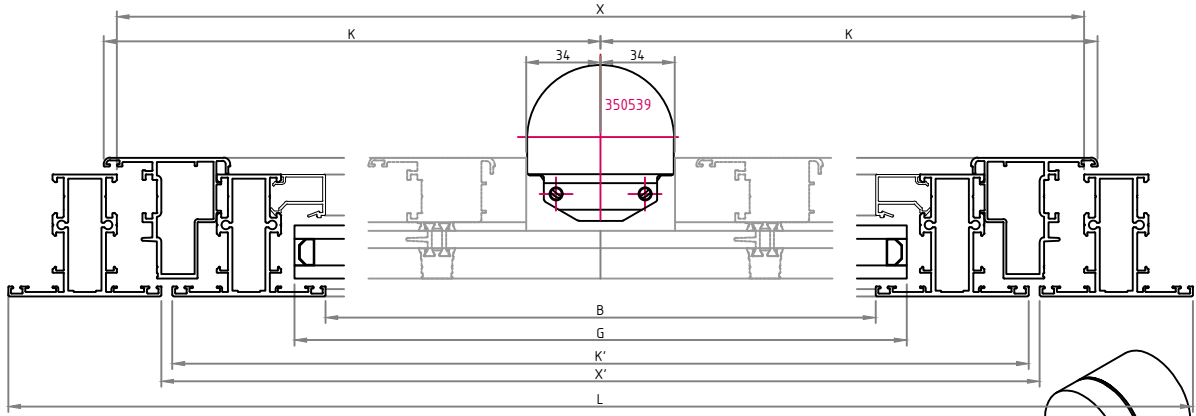


$$K = \frac{X + 12 - 5}{2}$$

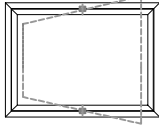
$$K = Y + 12$$

$$G = B + 28$$

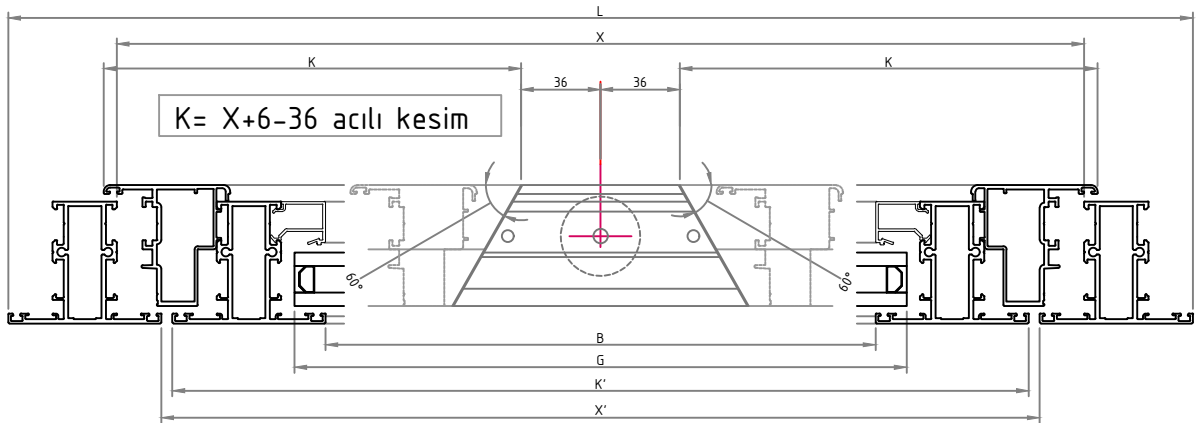
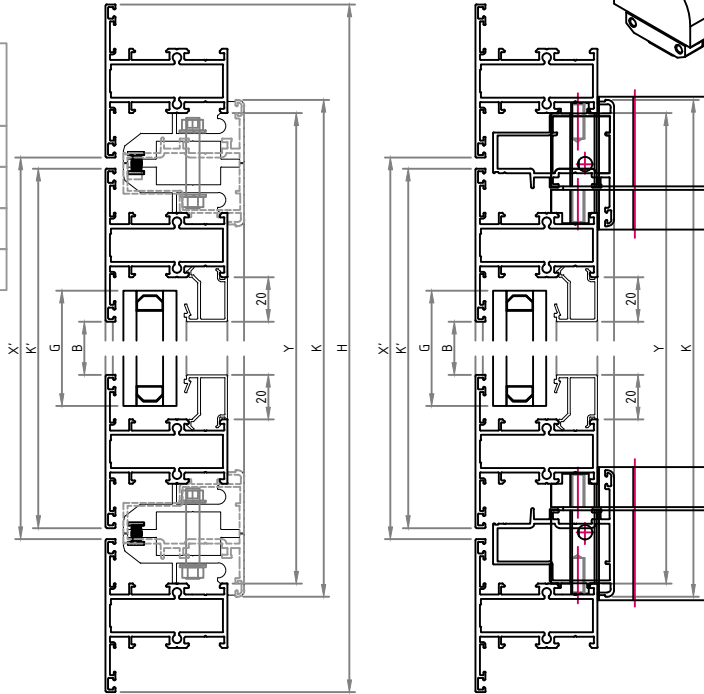


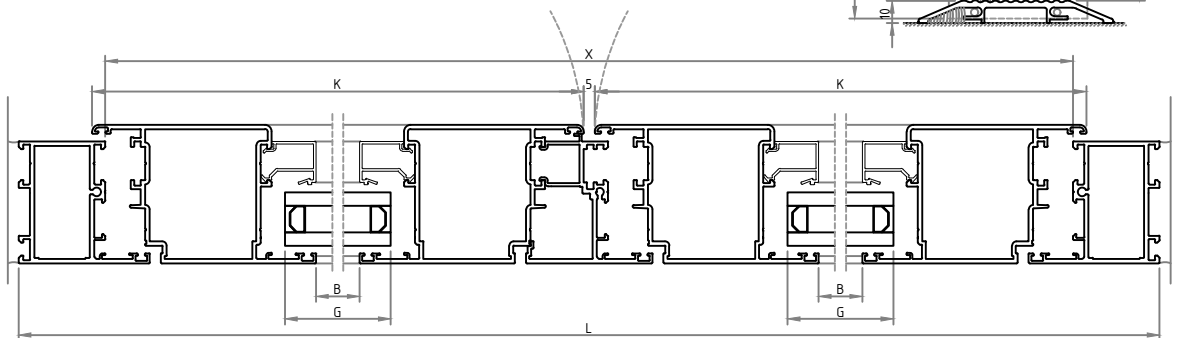
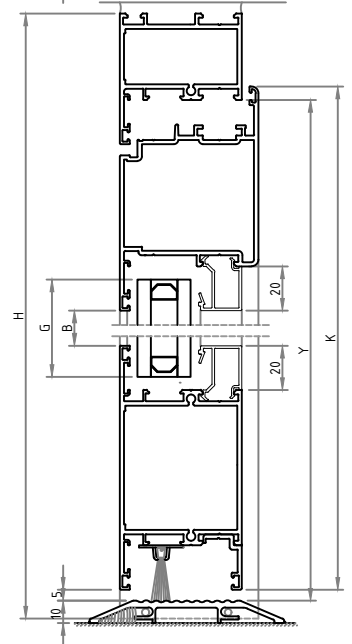
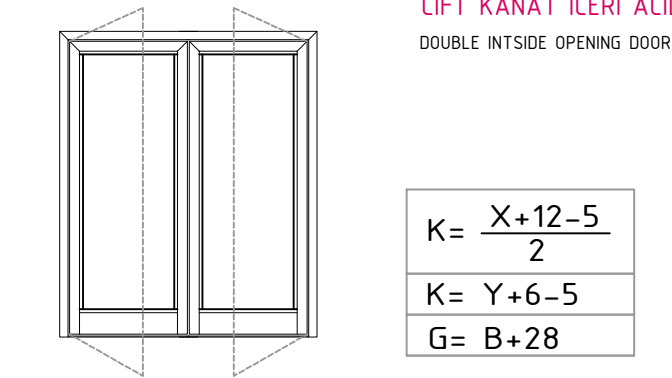
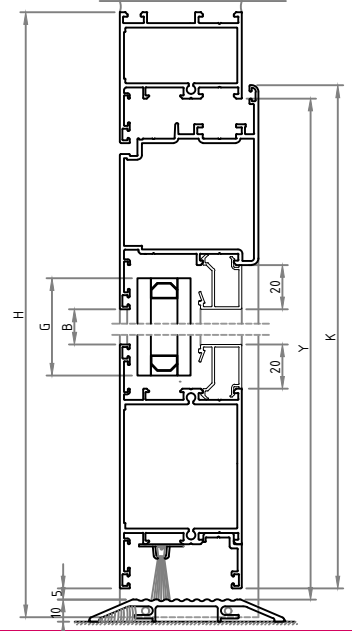
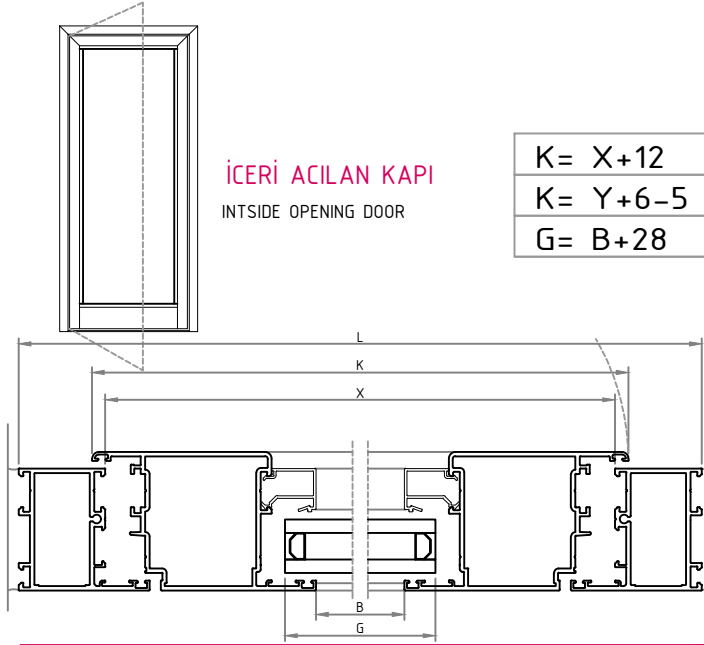


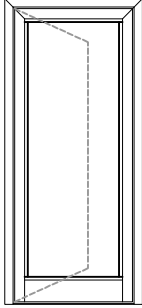
$K = \frac{X - 67 + 12}{2}$
$K = Y + 12$
$G = B + 28$
$K' = X' - 10$
$K = Y + 6$ özel işlemler



PIVOT AÇILIM PENCERE
PIVOT WING OPENING WINDOW

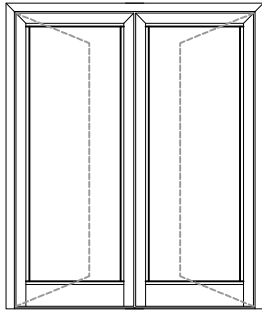
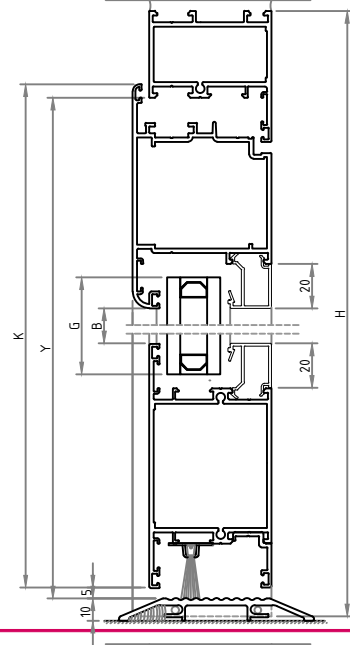
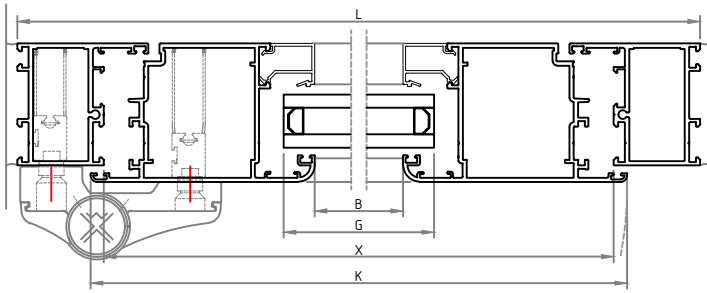






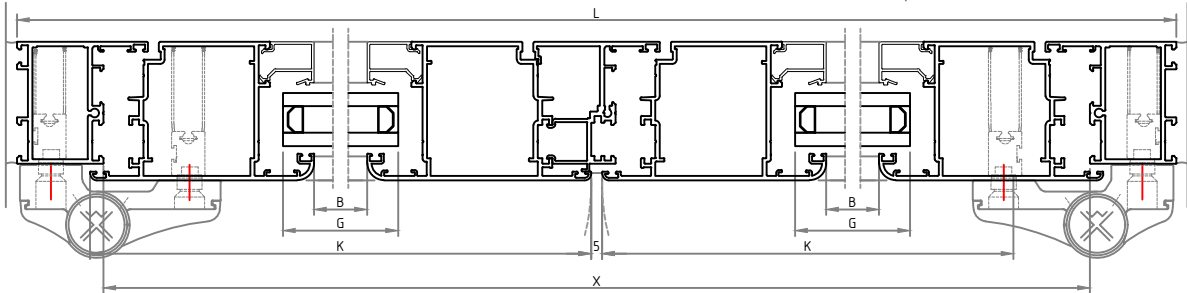
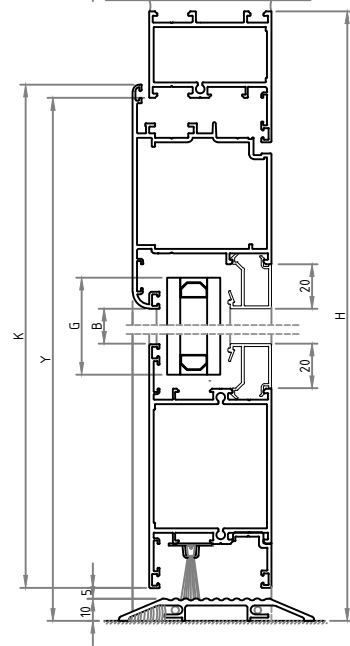
DIŐA ACILAN KAPI
OUTSIDE OPENING DOOR

$K = X + 12$
$K = Y + 6 - 5$
$G = B + 28$



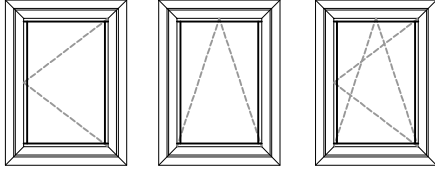
ÇİFT KANAT DIŐARI ACILAN KAPI
DOUBLE OUTSIDE OPENING DOOR

$K = \frac{X + 12 - 5}{2}$
$K = Y + 6 - 15$
$G = B + 28$



NORMAL / VASİSTAS / ÇİFT ACILIM GİZLİ KANAT PENCERE

NORMAL / TILT / TILT & TURN INVISIBLE SASH WINDOW



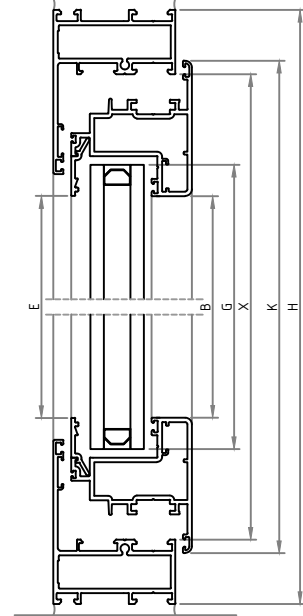
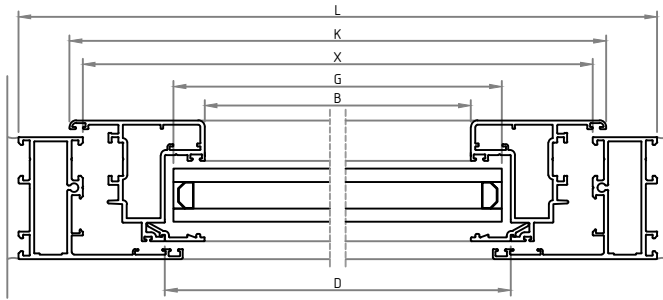
$$K = X + 12$$

$$K = Y + 12$$

$$G = B + 28$$

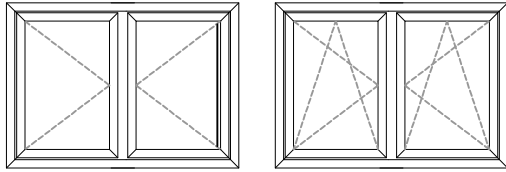
$$D = B + 36$$

$$E = B$$



NORMAL / ÇİFT GİZLİ KANAT PENCERE

NORMAL / TILT & TURN DOUBLE INVISIBLE SASH WINDOW



$$K = \frac{X + 12 - 5}{2}$$

$$K = Y + 12$$

$$G = B + 28$$

$$D = B + 36$$

$$E = B$$

