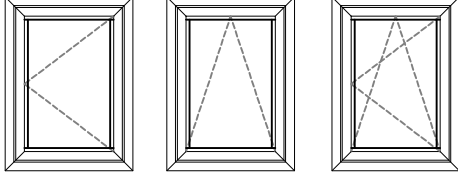


NORMAL / VASİSTAS / ÇİFT ACILIM PENCERE

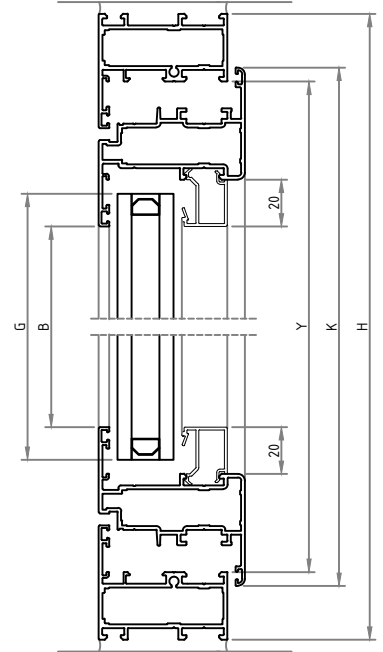
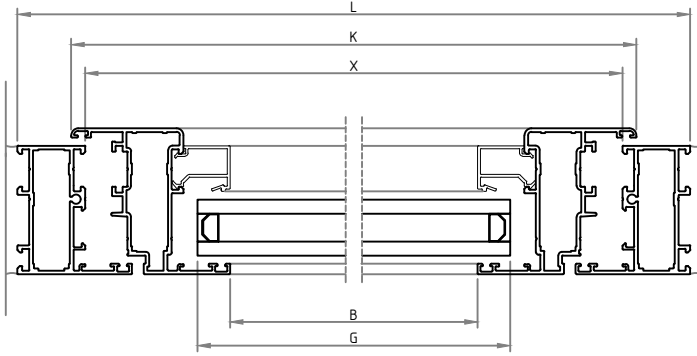
NORMAL / TILT / TILT & TURN WINDOW



$$K = X + 12$$

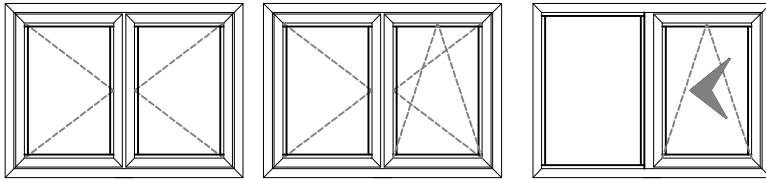
$$K = Y + 12$$

$$G = B + 28$$



NORMAL / NORMAL VE CİFT ACILIM / WOSVAGEN ACILIM PENCERE

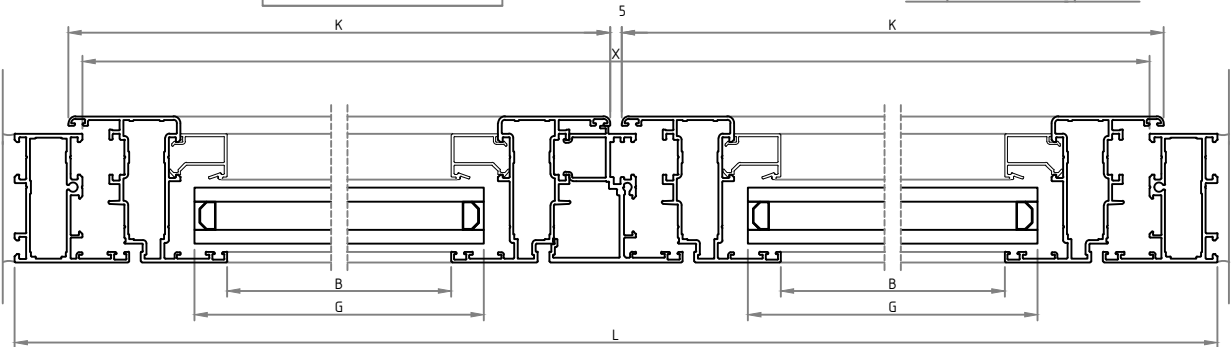
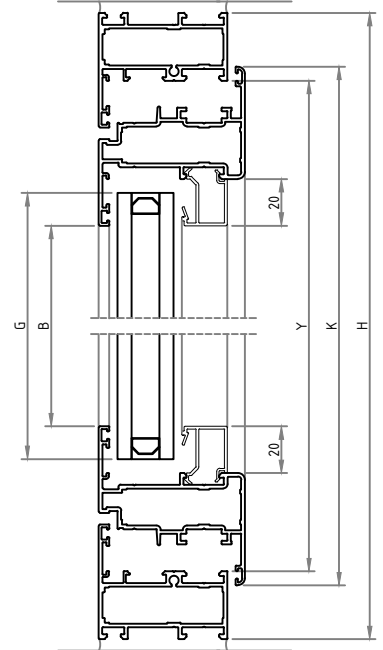
NORMAL / TILT & TURN END SIDE HUNG / WOSVAGEN WINDOW

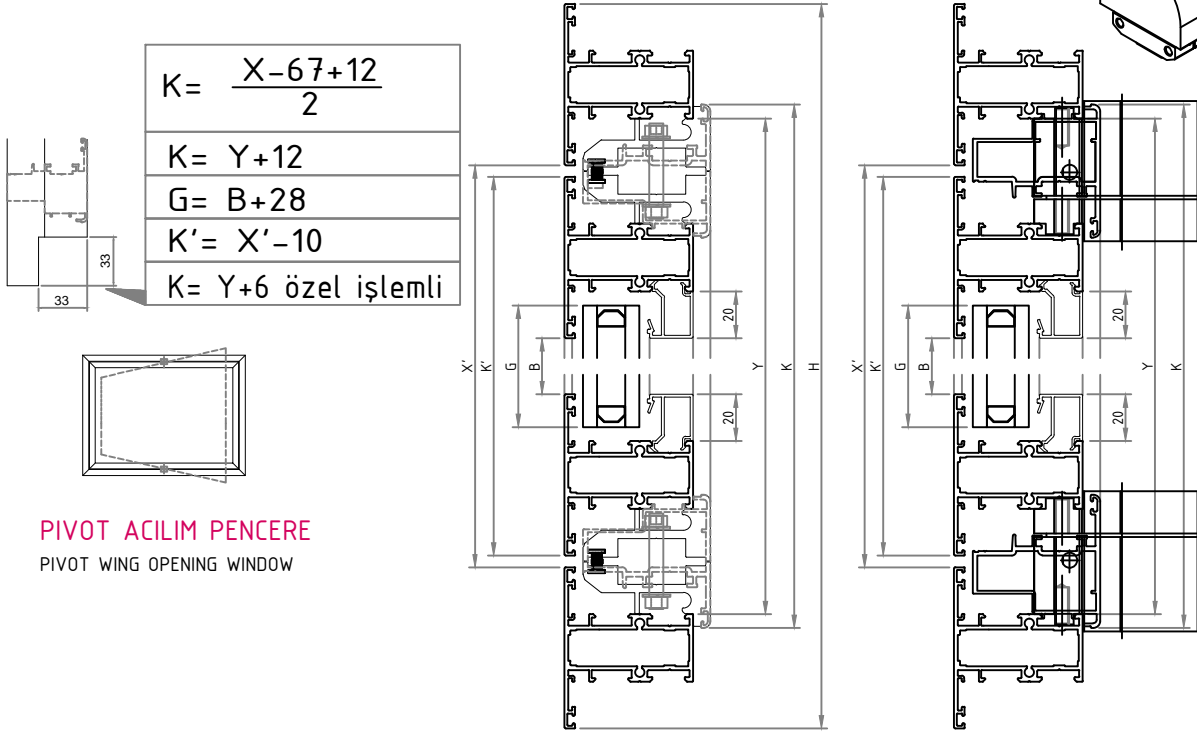
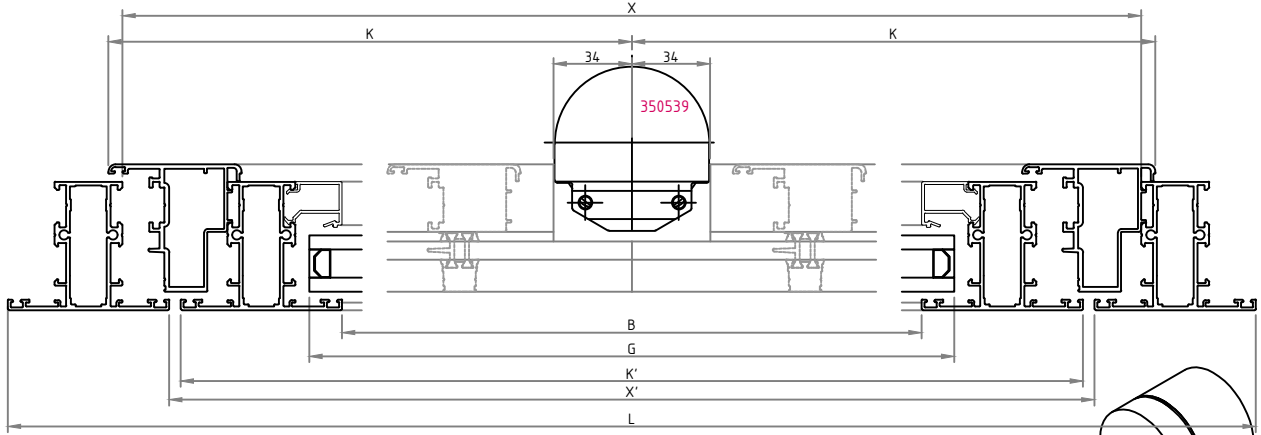


$$K = \frac{X + 12 - 5}{2}$$

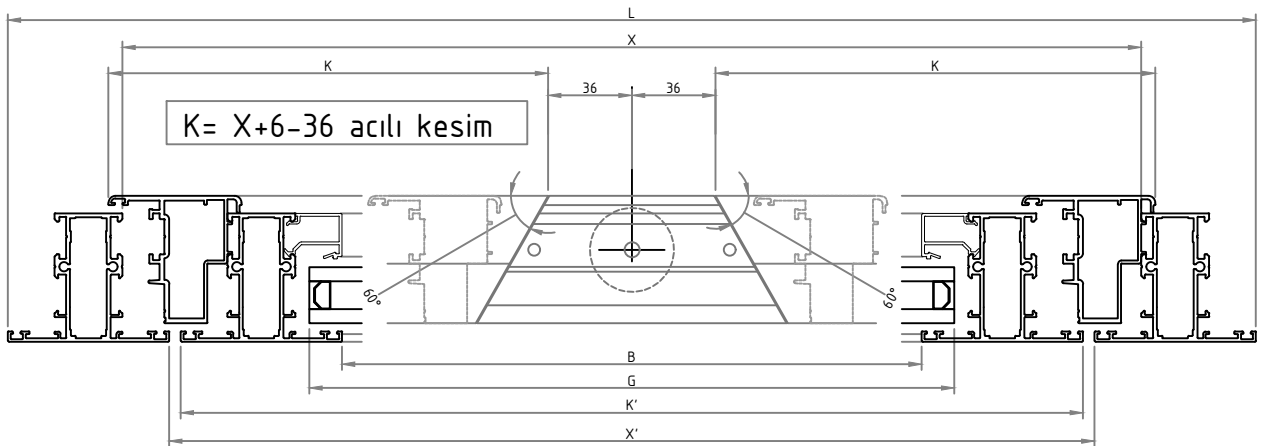
$$K = Y + 12$$

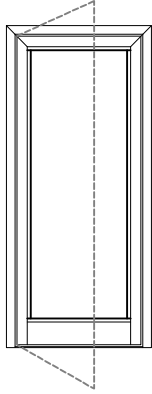
$$G = B + 28$$





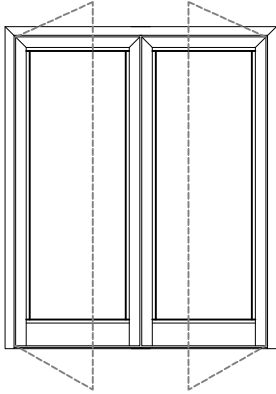
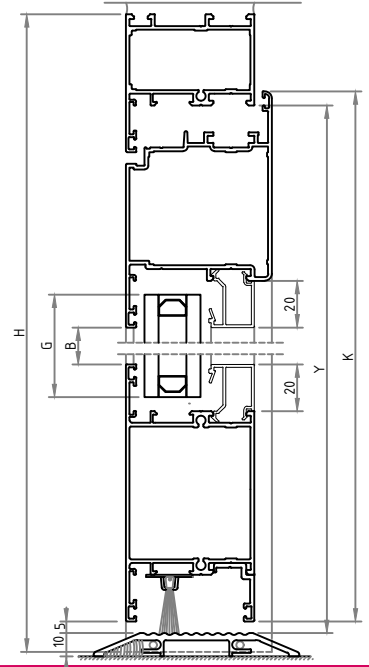
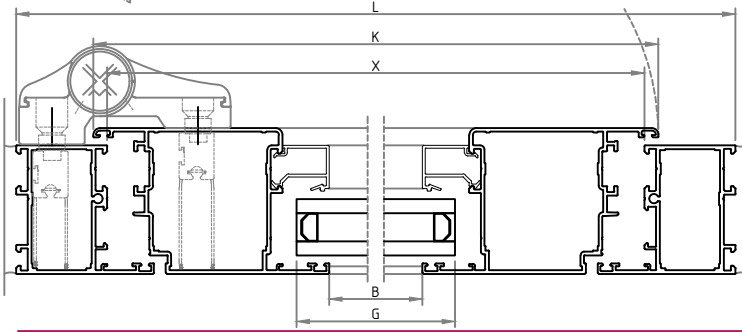
PIVOT AÇILIM PENCERE
PIVOT WING OPENING WINDOW





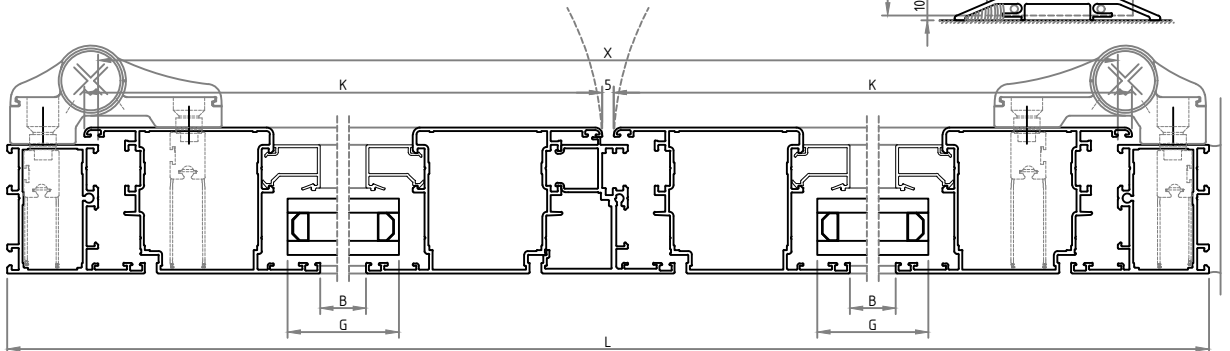
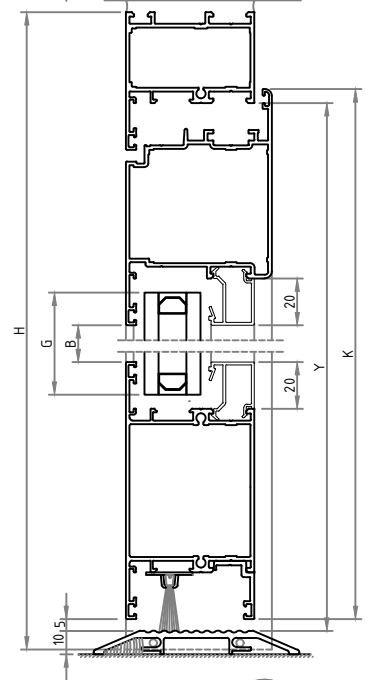
İÇERİ ACILAN KAPI
INTSIDE OPENING DOOR

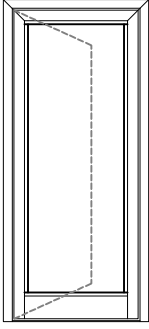
$K = X + 12$
$K = Y + 6 - 5$
$G = B + 28$



ÇİFT KANAT İÇERİ ACILAN KAPI
DOUBLE INTSIDE OPENING DOOR

$K = \frac{X + 12 - 5}{2}$
$K = Y + 6 - 5$
$G = B + 28$



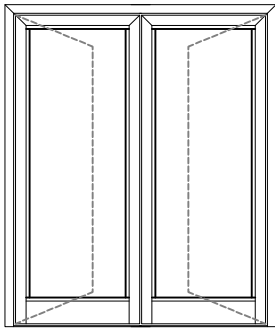
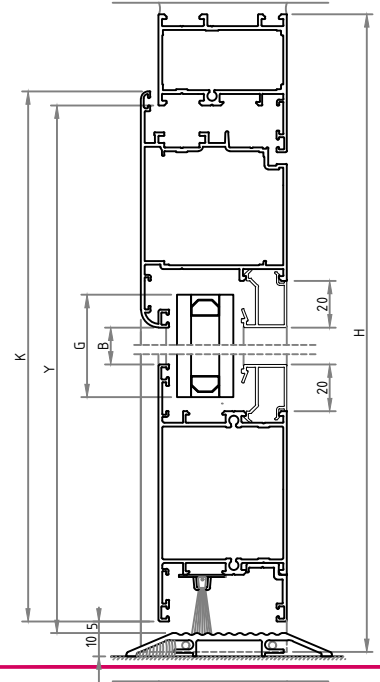
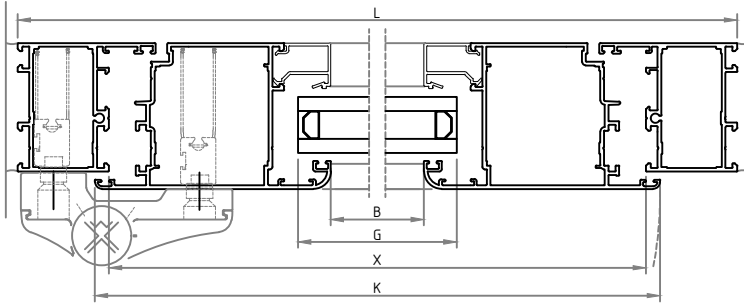


DIŐA ACILAN KAPI
OUTSIDE OPENING DOOR

$$K = X + 12$$

$$K = Y + 6 - 5$$

$$G = B + 28$$



ÇİFT KANAT DIŐARI ACILAN KAPI
DOUBLE OUTSIDE OPENING DOOR

$$K = \frac{X + 12 - 5}{2}$$

$$K = Y + 6 - 15$$

$$G = B + 28$$

