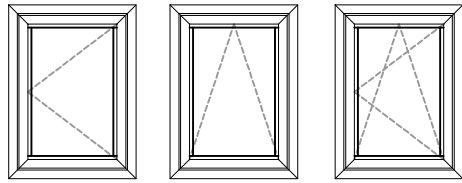
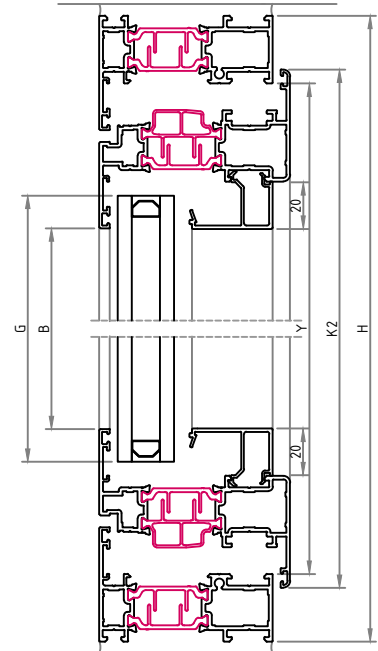
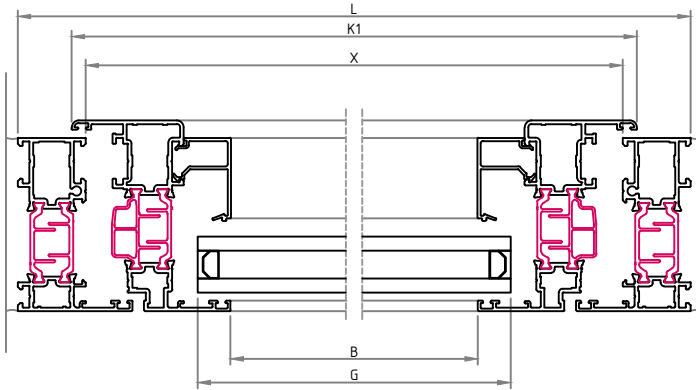


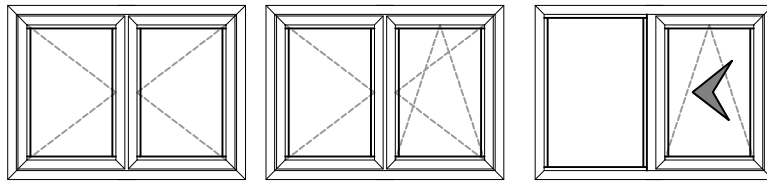
**NORMAL / VASISTAS / ÇİFT ACILIM PENCERE**  
NORMAL / TILT / TILT & TURN WINDOW



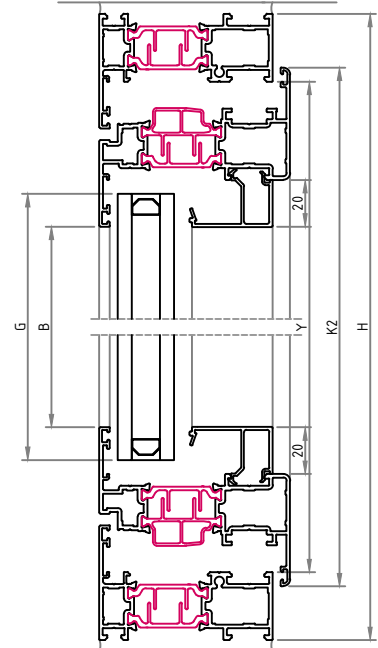
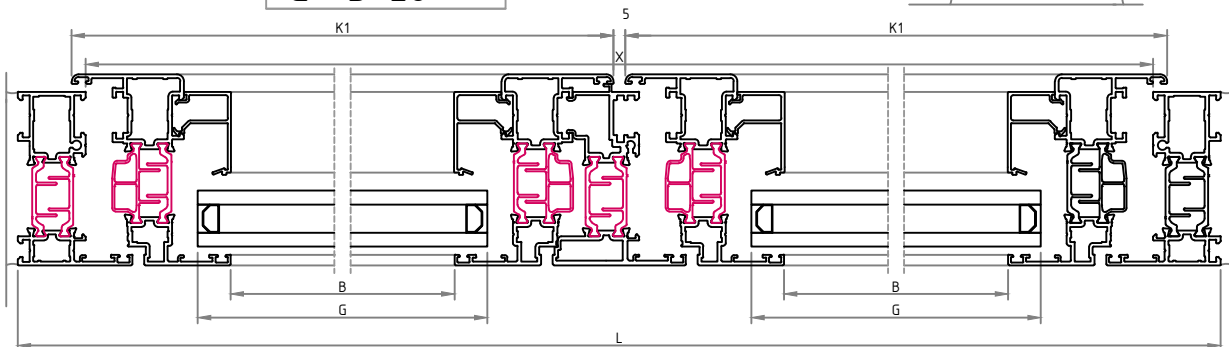
$K1 = X + 12$
$K2 = Y + 12$
$G = B + 28$

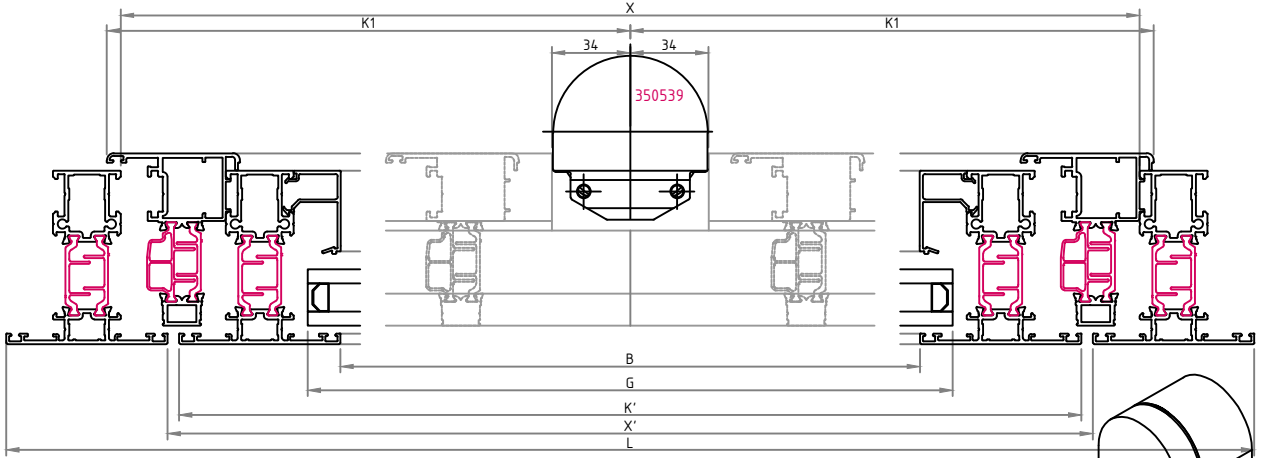


**NORMAL / NORMAL VE ÇİFT ACILIM / WOSVAGEN ACILIM PENCERE**  
NORMAL / TILT & TURN END SIDE HUNG / WOSVAGEN WINDOW

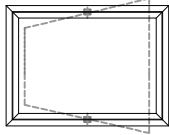
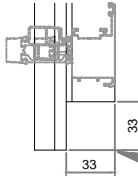


$K1 = \frac{X + 12 - 5}{2}$
$K2 = Y + 12$
$G = B + 28$

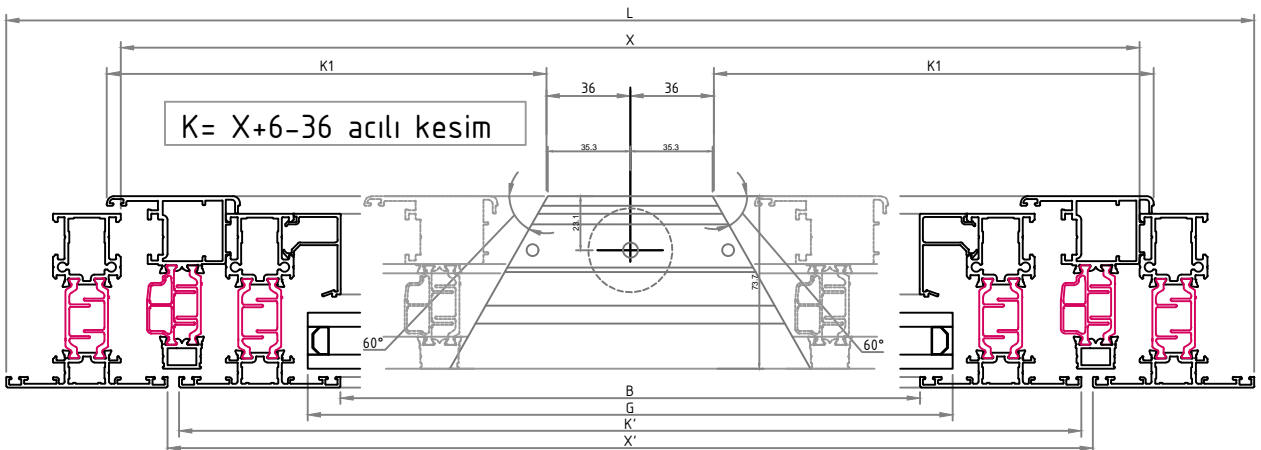
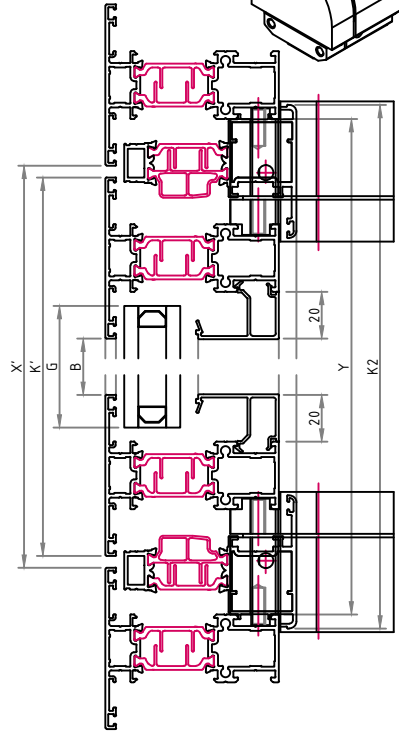
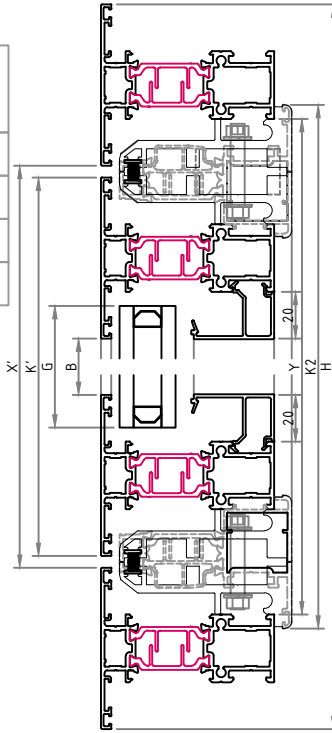


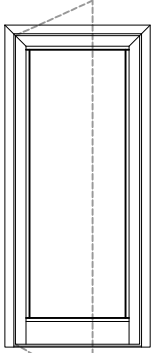


$K1 = \frac{X - 67 + 12}{2}$
$K2 = Y + 12$
$G = B + 28$
$K' = X' - 10$
$K = Y + 6$ özel işlemler



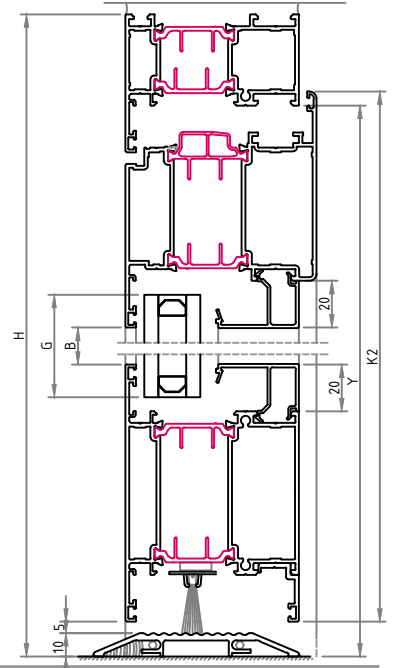
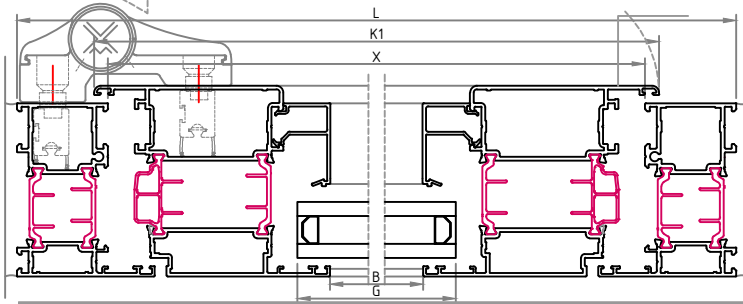
**PIVOT ACILIM PENCERE**  
PIVOT WING OPENING WINDOW



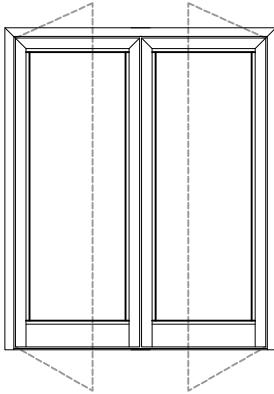


**İÇERİ ACILAN KAPI**  
INTSIDE OPENING DOOR

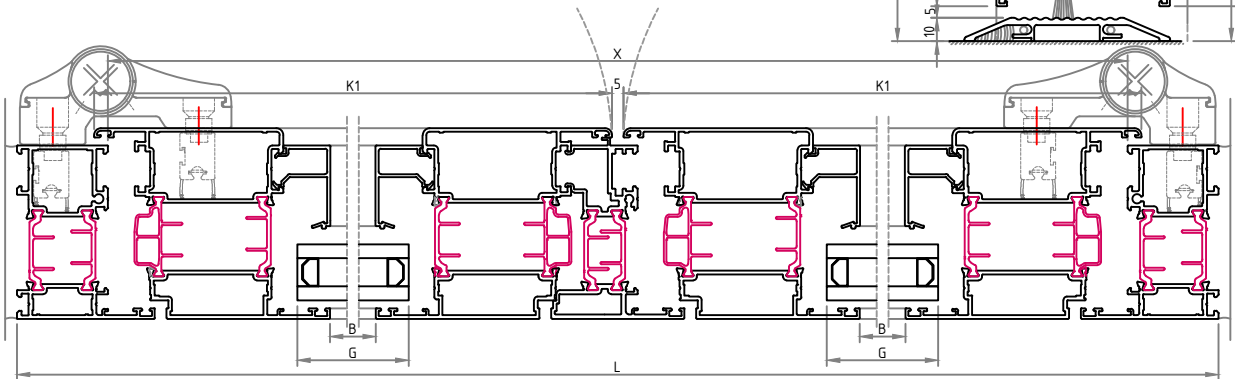
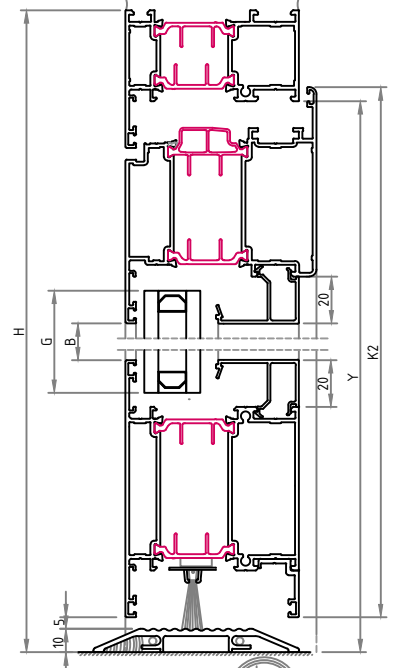
$K1 = X + 12$
$K2 = Y + 6 - 15$
$G = B + 28$

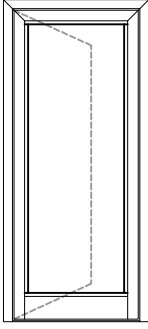


**ÇİFT KANAT İÇERİ ACILAN KAPI**  
DOUBLE INTSIDE OPENING DOOR



$K = \frac{X + 12 - 5}{2}$
$K = Y + 6 - 15$
$G = B + 28$



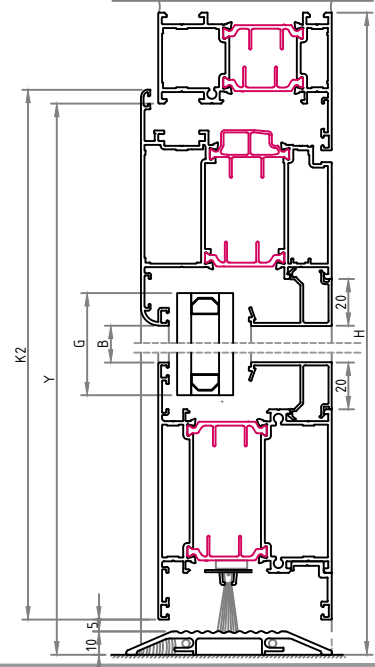
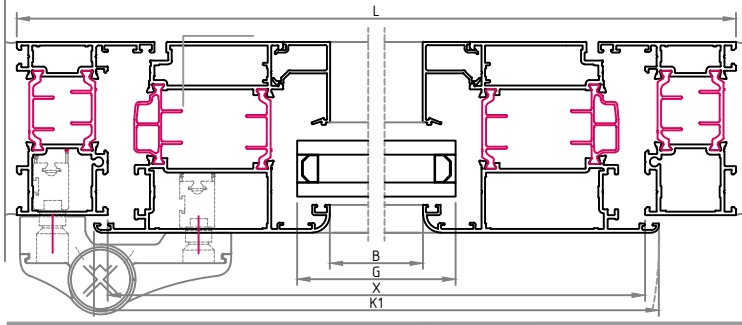


**DIŞA ACILAN KAPI**  
OUTSIDE OPENING DOOR

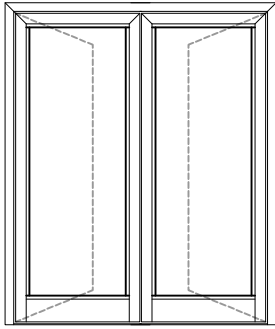
$$K = X + 12$$

$$K = Y + 6 - 15$$

$$G = B + 28$$



**ÇİFT KANAT DIŞARI ACILAN KAPI**  
DOUBLE OUTSIDE OPENING DOOR



$$K = \frac{X + 12 - 5}{2}$$

$$K = Y + 6 - 15$$

$$G = B + 28$$

